

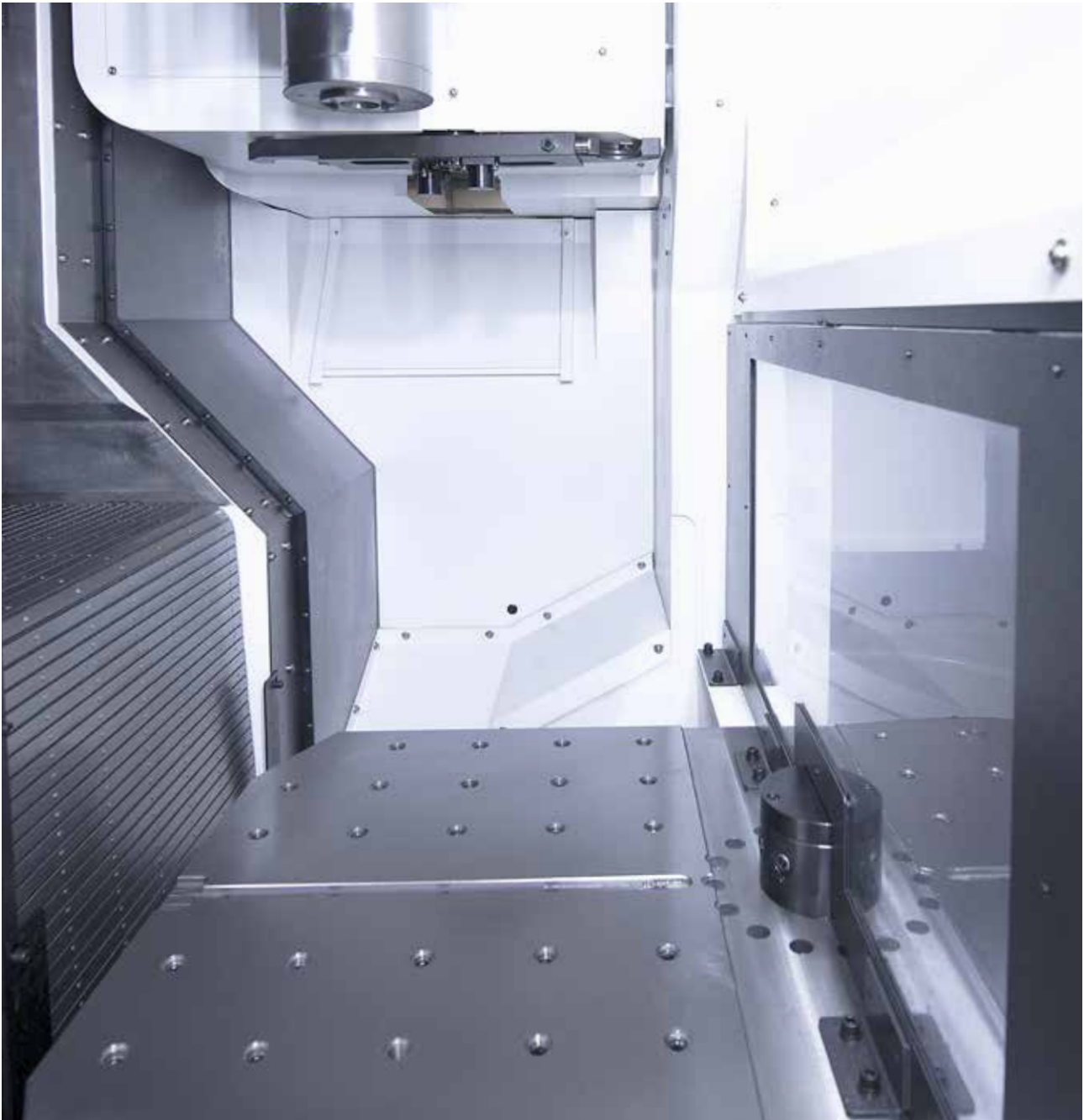
FD Series

HYUNDAI WIA Column Moving Type Vertical Machining Center



Technical Leader

The Vertical Machining Center FD Series designed by Hyundai WIA with years of expertise and the latest technology, is a column moving type machining center equipped with Dual Table to maximize productivity.



MODEL	Y-Axis Stroke			Spindle rpm			Taper	Magazine	
	410mm (16.1")	460mm (18.1")	600mm (23.6")	8,000	10,000	12,000	BT40	24 TOOL	30 TOOL
F410D	●				●/○		●	●	
F500D		●		●	○	○	●	●	○
F600D			●	●		○	●	●	○

●: Standard ○: Option

High productivity Dual Table equipped
High tech column moving Machining Center

FD Series

- High precision main spindle designed with P4 Angular Contact Ball Bearings
- High power/torque main spindle for heavy duty cutting
- Dual Tables for enhanced productivity
- Latest Servo ATC for the fastest tool change time in the class
- Combination of Roller Type LM Guide and Box Guide for optimal feed (F500D)
- Roller Type LM Guide on all axes for high precision heavy cutting (F600D)
- Latest SIEMENS 828D Controller with wide range of support software



01

FD Series

F410D Basic Features

High Speed & Productivity Vertical Machining Center

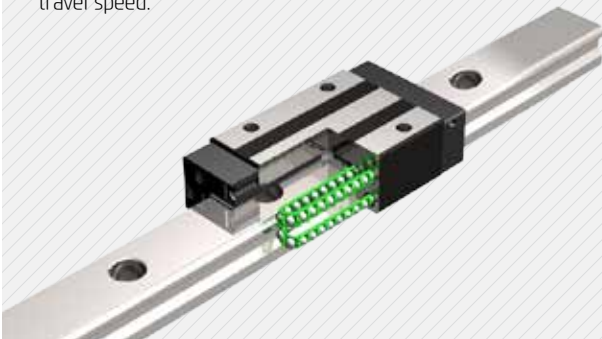
01

Moving Column

The F410D is designed with a moving column in order to maximize productivity of the incorporated Dual Table. In addition, due to the enlargement of the column's width and symmetrical heat behavior column structure, heat displacement is minimized and machining accuracy is increased.

LM Guideway

F410D Ball Type LM Guide provides reduction of noise while in motion, and reduction of non-cutting time due to superior travel speed.



02

Double Anchored Ball screw

In order to eliminate thermal growth and increase accuracy, all axes are driven by high precision double anchored ballscrews.

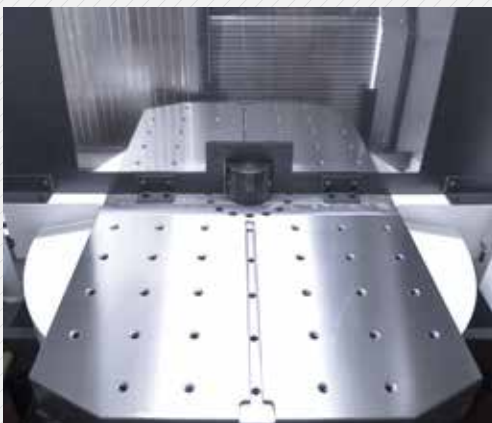
The double anchored and pretensioned design provides outstanding positioning and repeatability with virtually no thermal growth.



03

Directly Coupled Servo Motor

Each axis is directly connected to a highly reliable digital servo motor to provide high rigidity and minimal thermal displacement.

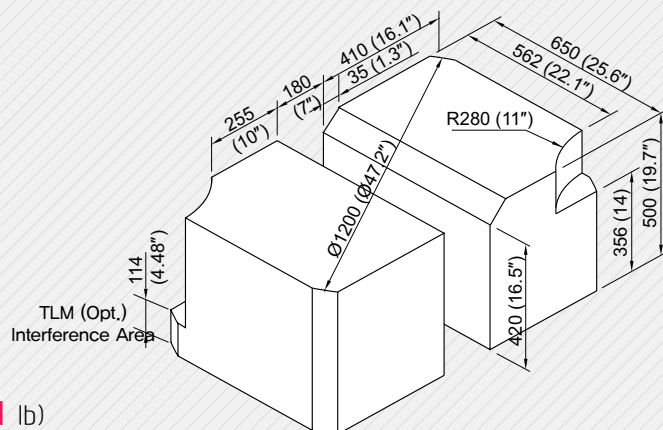


Dual Table

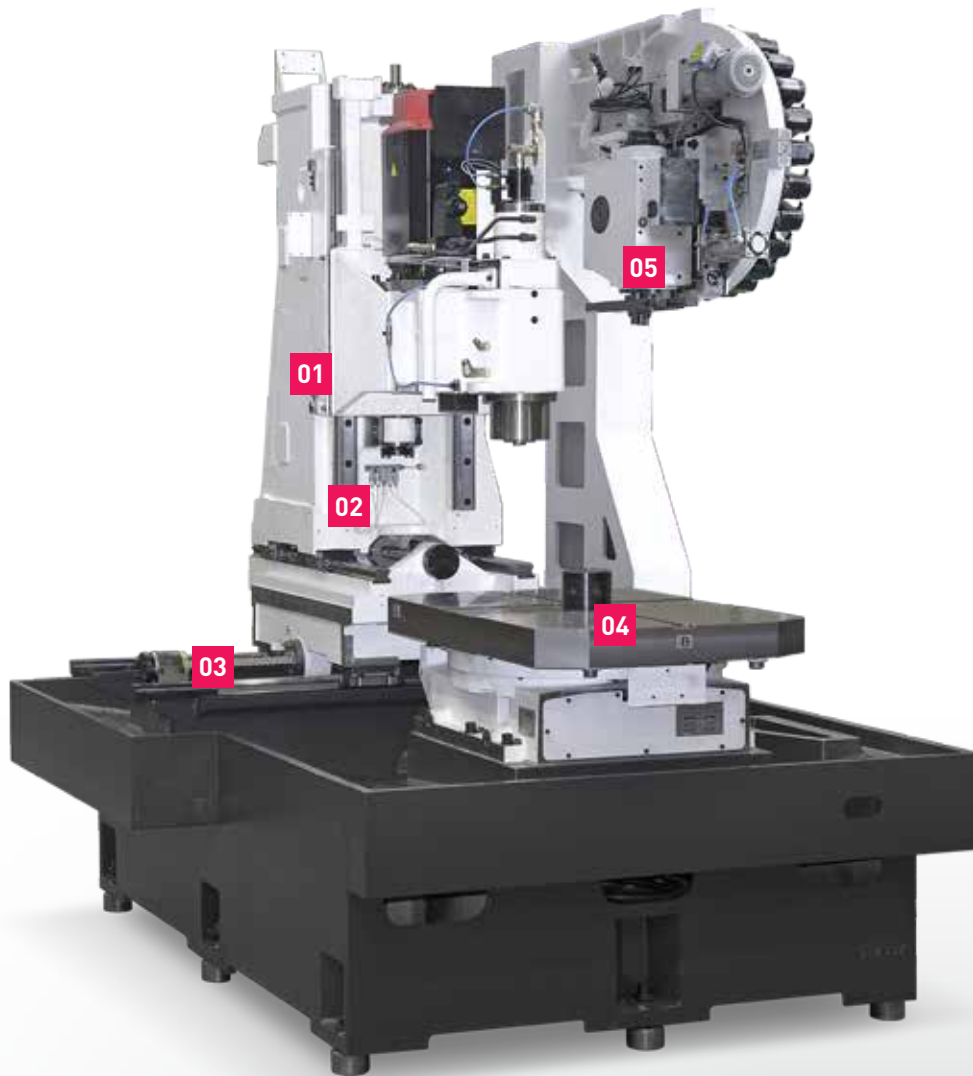
High speed 180° index rotating table increases productivity by providing the ability to load and unload on the outer table while processing on the other table.

04

- **Table Size** (L×W) : **2-650×410** mm
(2-25.6"×16.1")
- **Max. Load Capacity** : **2-250** kg (2-551 lb)
- **Table Change Time** : **5.2** sec



Basic Features



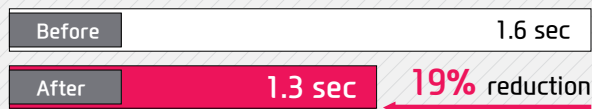
HYUNDAI WIA
MACHINE TOOL

FD SERIES
Vertical Machining Center

04
+
05

05 ATC Speed Improvement

Tool to Tool Time



Chip to Chip Time



- ⊙ **Rapid Traverse Rate** (X/Y/Z axis) :
36/36/30 m/min (1,417/1,417/1,181 ipm)
- ⊙ **Spindle Speed** : 10,000 Belt [10,000 Belt] rpm
- ⊙ **Spindle Output** (Max./Cont.) :
18.5/15 [22.5/15] kW (24.8/20.1 [30.2/20.1] HP)

- ⊙ **Travel** (X/Y/Z axis) :
570/410/580 mm (22.4"/16.1"/22.8")
- ⊙ **Spindle Torque** (Max./Cont.) :
117.7/95.4 [189/126] N·m
(86.8/70.4 [139.4/92.9] lbf·ft)

02

FD Series

F500D Basic Features

High Speed & Productivity Vertical Machining Center

01

Moving Column

The F500D is designed with a moving column in order to maximize productivity of the incorporated Dual table. In addition, due to the enlargement of the column's width and symmetrical heat behavior column structure, heat displacement is minimized and machining accuracy is increased.

Hybrid Type Slideway

Each axis on F500D is designed with slideways optimized to the axis. Sturdy **Box Guide** on Z-axis for heavy loads, and **Roller Type LM Guides** on X and Y axis for optimal travel ability.



02

Double Anchored Ball screw

In order to eliminate thermal growth and increase accuracy, all axes are driven by high precision double anchored ballscrews.

The double anchored and pretensioned design provides outstanding positioning and repeatability with virtually no thermal growth.



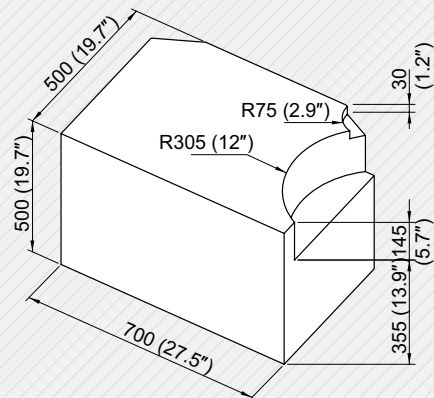
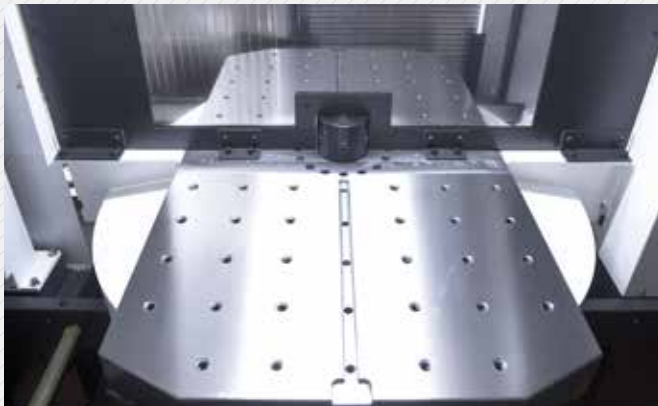
03

Directly Coupled Servo Motor

Each axis is directly connected to a highly reliable digital servo motor to provide high rigidity and minimal thermal displacement.

Dual Table

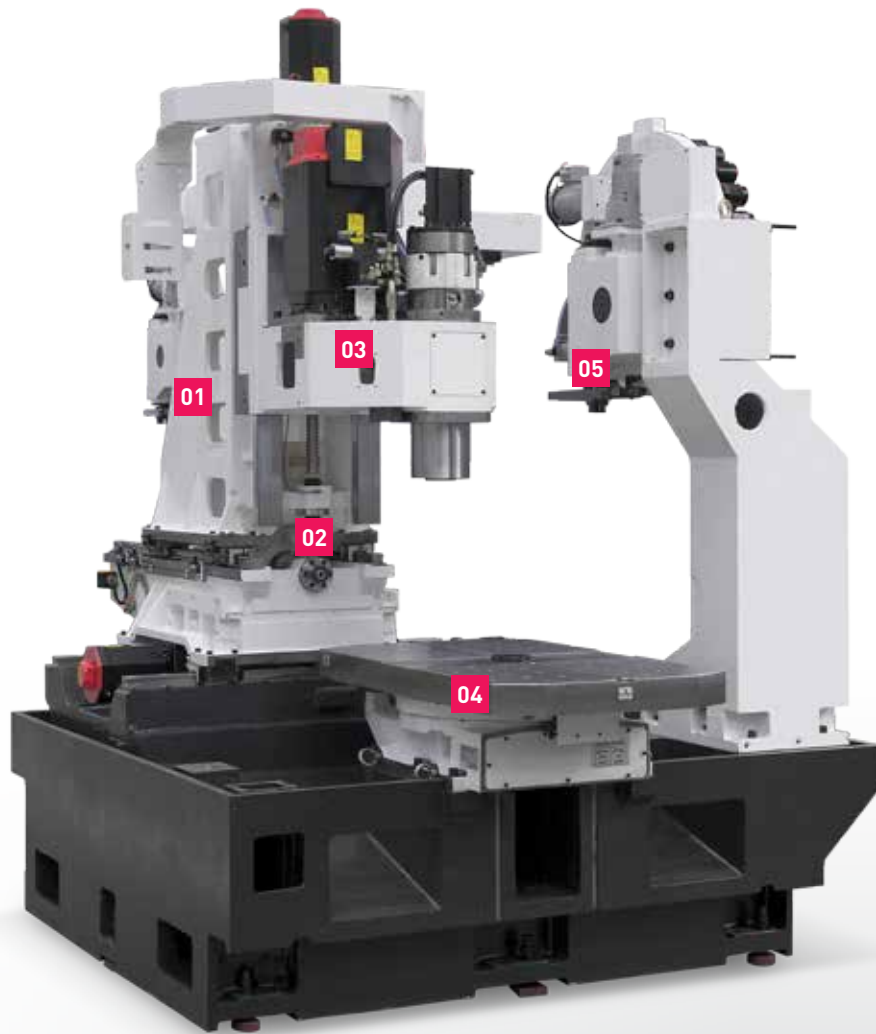
High speed 180° index rotating table increases productivity by providing the ability to load and unload on the outer table while processing on the other table.



04

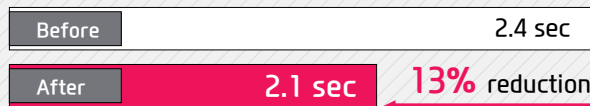
- **Table Size (LxW) :** 2-700x500 mm (2-27.6"x19.7")
- **Max. Load Capacity :** 2-350 kg (2-772 lb)
- **Table Change Time :** 6 sec

Basic Features

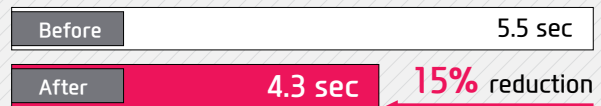


05 ATC Speed Improvement

Tool to Tool Time



Chip to Chip Time



- ⊙ **Rapid Traverse Rate** (X/Y/Z axis) : 40/40/30 m/min (1,575/1,575/1,181 ipm)
- ⊙ **Travel** (X/Y/Z axis) : 600/460/570 mm (23.6"/18.1"/22.4")
- ⊙ **Spindle Speed** : 8,000 Belt [10,000 Belt] [12,000 Direct] [8,000 Belt] rpm
- ⊙ **Spindle Output** (Max./Cont.) : 15/11 [15/11] [11/7.5] [43/18.5] kW
(20.1/14.8 [20.1/14.8] [14.8/10] [57.7/24.8] HP)
- ⊙ **Spindle Torque** (Max./Cont.) : 287/143 [230/115] [70/47] [300/157] N·m
(211.7/105.5 [170/84.8] [51.6/34.7] [221.3/115.8] lbf·ft)

N3

FD Series

F600D Basic Features

High Speed & Productivity Vertical Machining Center

01

Moving Column

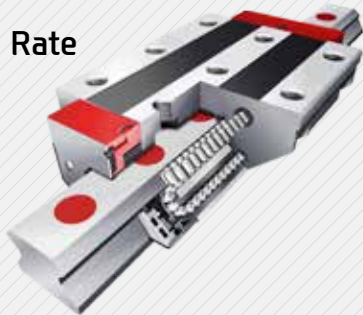
The F600D is designed with a moving column in order to maximize productivity of the incorporated Dual table. In addition, due to the enlargement of the column's width and symmetrical heat behavior column structure, heat displacement is minimized and machining accuracy is increased.

Roller Type LM Guide

The travel mechanism on F600D is equipped with Roller Type LM Guide for rigidity and reducing idle time.

Rapid Traverse Rate

42 m/min
(1,654 ipm)



02

Double Anchored Ball screw

In order to eliminate thermal growth and increase accuracy, all axes are driven by high precision double anchored ballscrews.

The double anchored and pretensioned design provides outstanding positioning and repeatability with virtually no thermal growth.



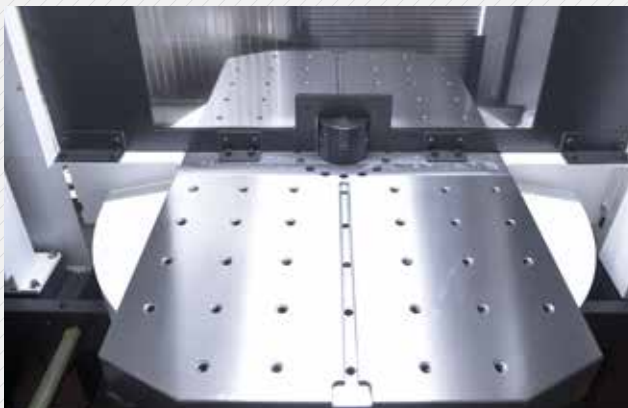
03

Directly Coupled Servo Motor

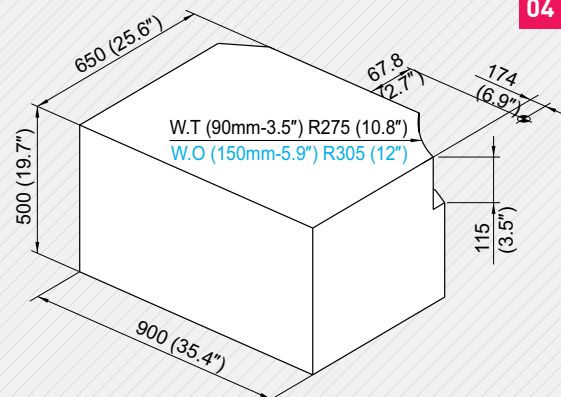
Each axis is directly connected to a highly reliable digital servo motor to provide high rigidity and minimal thermal displacement.

Dual Table

High speed 180° index rotating table increases productivity by providing the ability to load and unload on the outer table while processing on the other table.

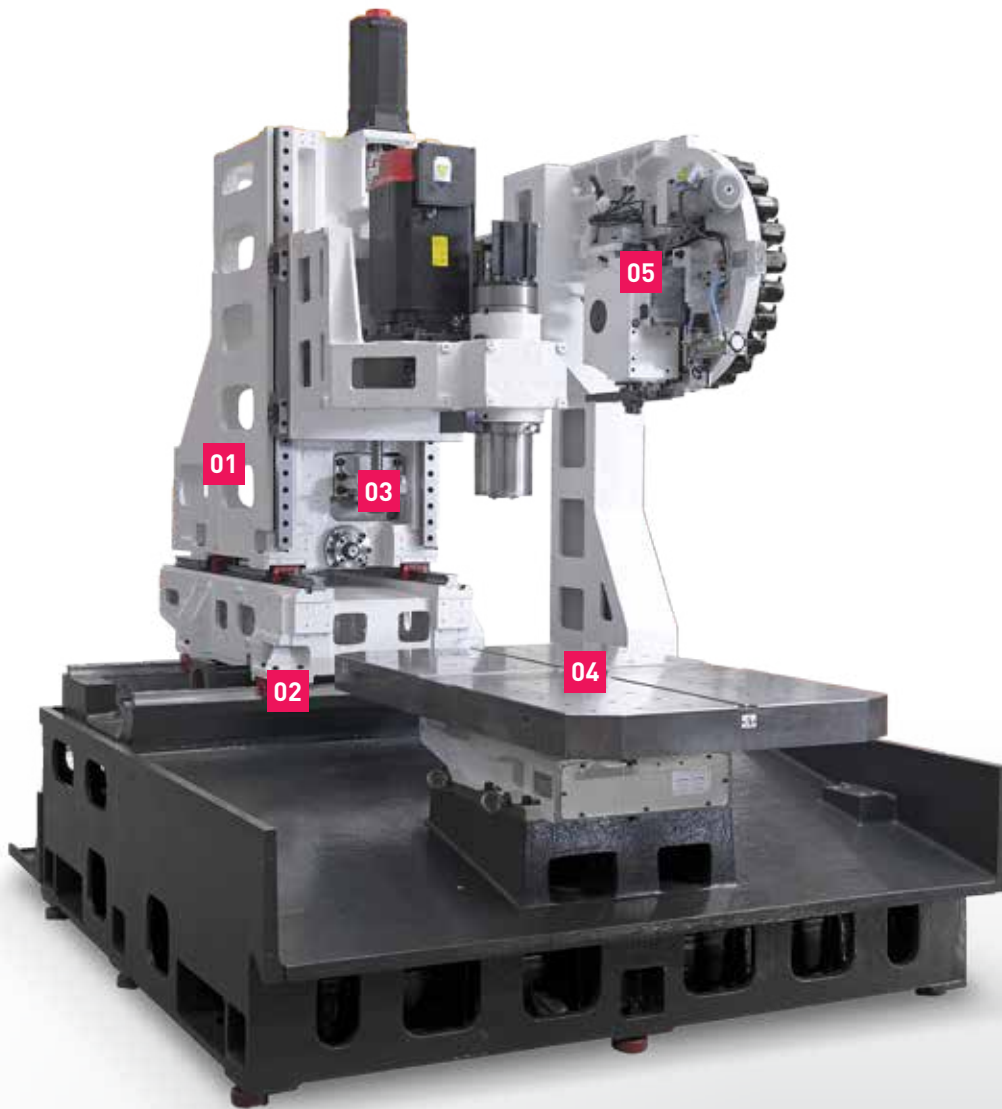


04



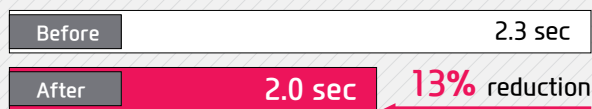
- **Table Size** (L×W) : 2-900×650 mm
(2-35.4"×25.6")
- **Max. Load Capacity** : 2-400 kg (2-882 lb)
- **Table Change Time** : 8.5 sec

Basic Features

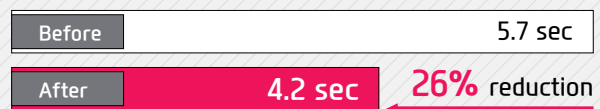


05 ATC Speed Improvement

Tool to Tool Time



Chip to Chip Time



⊙ **Rapid Traverse Rate** (X/Y/Z axis) :
42/42/42 m/min (1,654/1,654/1,654 ipm)

⊙ **Spindle Speed** : 8,000 Belt [12,000 Direct] rpm

⊙ **Spindle Output**(Max./Cont.) :
15/11 [11/7.5] kW (20.1/14.8 [14.8/10] HP)

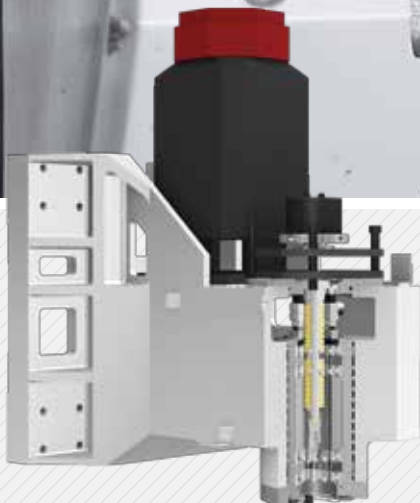
⊙ **Travel** (X/Y/Z axis) :
800/600/600 mm (31.5"/23.6"/23.6")

⊙ **Spindle Torque** (Max./Cont.) :
287/143 [70/47] N·m
(211.7/105.5 [51.6/34.7] lbf·ft)

04
FD Series

High Precision Spindle

Long Lasting High Accuracy & Excellent Performance
Vertical Machining Center



Belt Type Spindle

The FD Series is equipped with a Belt Type Spindle to ease maintenance and minimize machining noise.

The main spindle is designed with P4 Angular Contact Ball Bearings to assure quality during high speed processing, also to stabilize high precision even over long periods of machining.

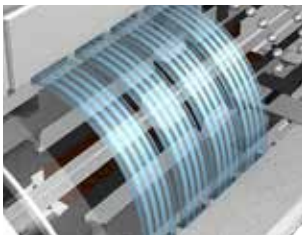
Spindle

OPTION

Direct Type Spindle (F500D/600D)

The spindle motor is directly connected to the main spindle by a high speed and high precision coupling. Rapid spindle acc/deceleration is performed without backlash. The coupling also minimizes vibration and heat transfer from the motor preventing thermal displacement.

- ◉ Spindle Speed : 12,000 rpm
- ◉ Spindle Taper : NT #40



Spindle Cooling OPTION

The spindle cooling system minimizes thermal displacement which can happen during lengthy machining operations, and offers continued accuracy based on the thermal stability.

Through Spindle Coolant OPTION

Through Spindle Coolant is exceedingly useful when drilling deep holes. It helps increase the lifetime of the tool, while decreasing cycle time.



20 bar / 30 bar / 70 bar
(290 psi / 435 psi / 1,015 psi)

Tool Holders

CAT OPTION



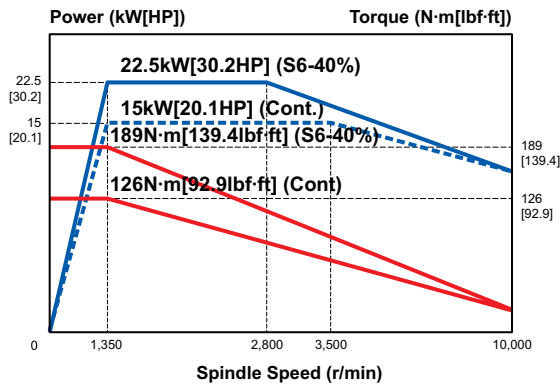
BT



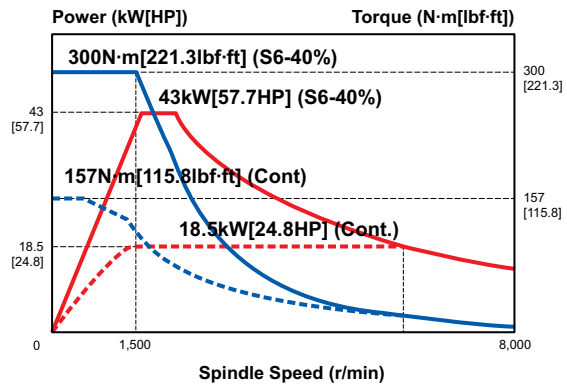
SIEMENS 1PH8 Spindle Motor

The 1PH8 Series Motor is a high quality and performance motor with the characteristics of maximum concentricity of 10 μ m and short driving time.

F410D (10,000r/min, Belt)

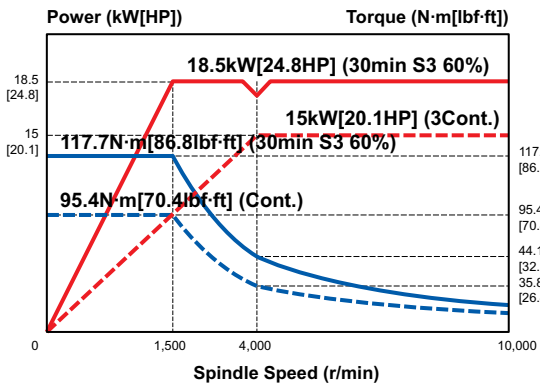


F500D (8,000r/min, Belt)

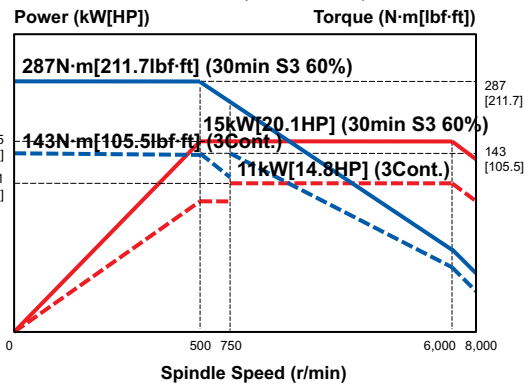


FANUC Spindle

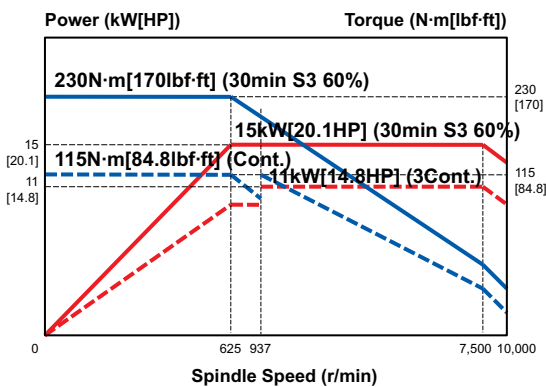
F410D (10,000r/min, Belt)



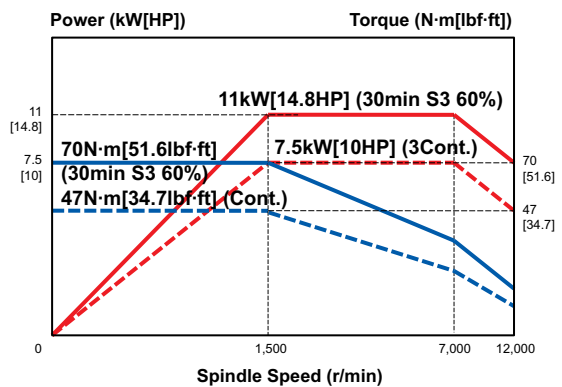
F500D/600D (8,000r/min, Belt)



F500D (10,000r/min, Belt) OPTION

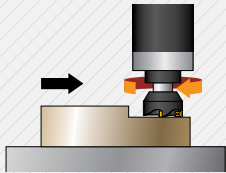


F500D/600D (12,000r/min, Direct) OPTION



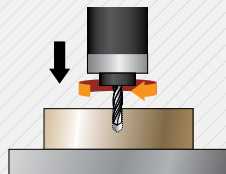
Machining Capability

F500D



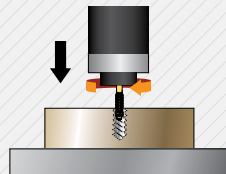
FACE MILL (Material(JIS):S45C(Carbon steel))

Tool diameter	Ø80 (Ø3.15") x 6F
Cutting depth	4.5 mm (0.177")
Cutting width	70 mm (2.755")
Cutting speed	286 m/min (11,260 ipm)
Spindle rpm	1,137 r/min
Traverse rate	0.99 mm/rev (0.038"/rev)
Chip quantity	350 cc/min



DRILL (Material(JIS):S45C(Carbon steel))

Tool diameter	Ø43 (Ø1.7") x MT4
Cutting depth	43 mm (1.7")
Cutting speed	27 m/min (1,063 ipm)
Spindle rpm	199 r/min
Traverse rate	0.38 mm/rev (0.015"/rev)
Chip quantity	109 cc/min



TAP (Material(JIS):S45C(Carbon steel))

Tap spec./Pitch	M42 x P4.5
Cutting depth	42 mm (1.65")
Cutting speed	7 m/min (0.27")
Spindle rpm	53 r/min
Traverse rate	4.5 mm/rev (0.177"/rev)

❖ The above results might be different by types of processing circumstances.



Rigid Tapping

The standard Rigid Tapping function allows fast and accurate tapping, leading to high efficiency and tool life extension.

Sample Workpieces



05

FD Series

ATC & Magazine

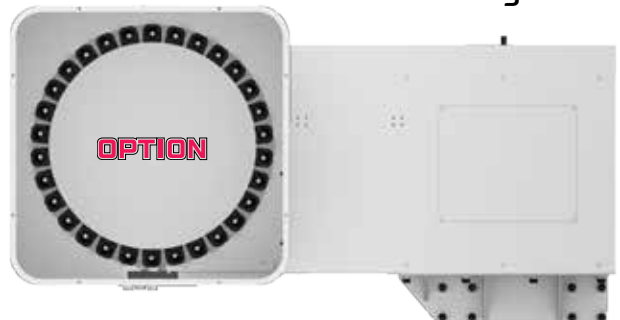
High Productivity with
High Rigidity and Accurate Machining



24 Tool Magazine



30 Tool Magazine



Servo ATC

Adopting the Twin Arm Servo ATC further enhances position control and shortens tool change time, maximizing productivity.

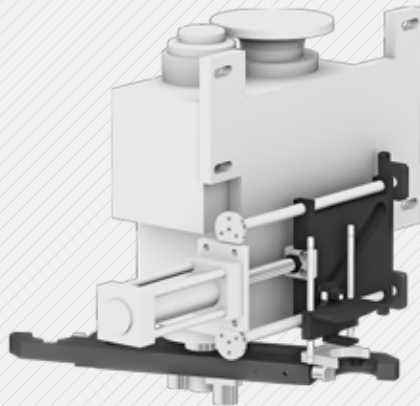
F600D standard.

Tool to Tool Time

13% Reduce

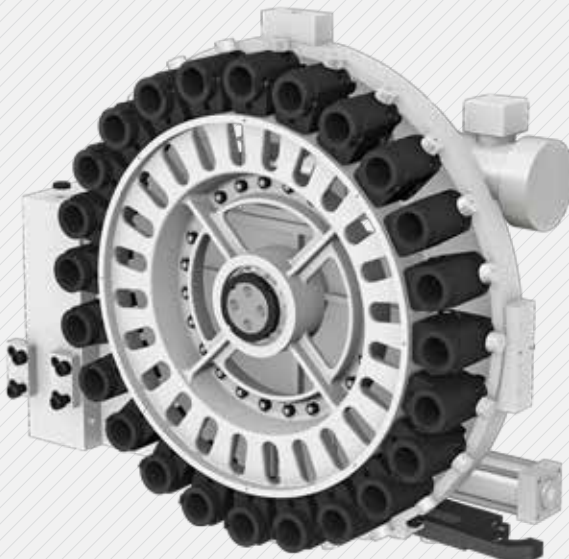
Chip to Chip Time

26% Reduce



Magazine

The tool magazine holds 24 tools as standard and 30 tools as an option. Due to the wider selection of tools and the random tool selection method, tool change time has been improved.



F410D

- ⊙ No. of Tools : **24** EA
- ⊙ Tool Shank : **BT40**
- ⊙ Max. Tool Dia. (W.T/W.O)
Ø90/Ø150 (Ø3.5"/Ø5.9")
- ⊙ Max. Tool Weight : **8 kg (18 lb)**
- ⊙ Tool Selection Method :
Random

F500D/600D

- ⊙ No. of Tools : **24 [30]** EA
- ⊙ Tool Shank : **BT40**
- ⊙ Max. Tool Dia. (W.T/W.O)
Ø90/Ø150 (Ø3.5"/Ø5.9")
- ⊙ Max. Tool Weight : **8 kg (18 lb)**
- ⊙ Tool Selection Method :
Random

n6

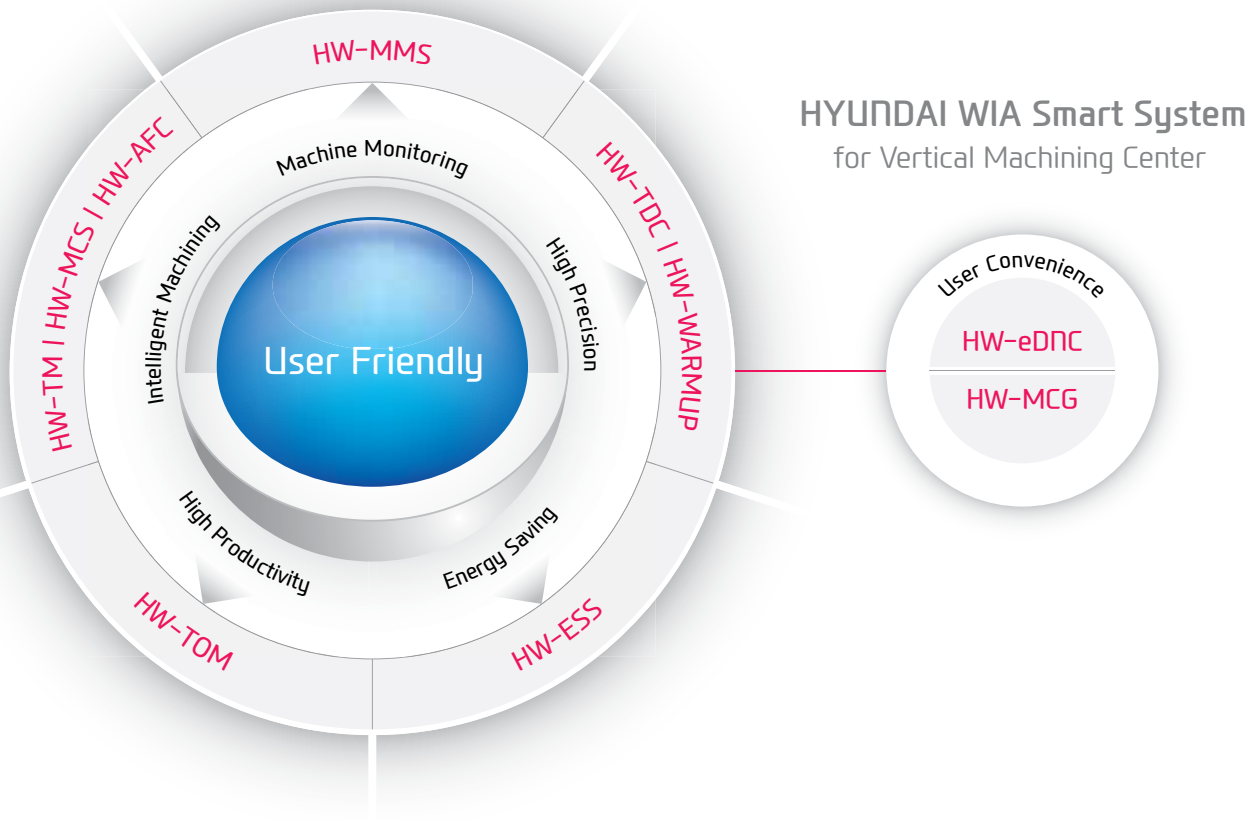
FD Series

Smart System



Software for smart operating and machining

Faster processing and enhanced accuracy in are possible through the **HYUNDAI WIA Smart System**. The user friendly software and equipment monitoring of the Smart System maximizes productivity.



Mold-related Software



HW-AFC

(FANUC)

HYUNDAI WIA
Adaptive Feed Control



HW-MCS

(FANUC)

HYUNDAI WIA
Machining Condition Selection

Software that controls the feed automatically to maintain a certain working load to extend tool life as well as productivity.

Software that automatically sets cutting and feeding parameters according to the machining types (speed, degree, quality)

Smart Factory HW-MMS (HYUNDAI WIA-Machine Monitoring System)

A brand new manufacturing machine by HYUNDAI WIA, HW-MMS is a unique software capable of monitoring the operation status of manufacturing machines in factories, a smart solution to improve manufacturing conditions of customers.



- 01 Real-time monitoring of machine operation status (Cloud)
- 02 History and statistics of machine operation (Cloud)
- 03 History and statistics of alarm occurrence (Cloud)
- 04 History and statistics of work count (Cloud)
- 05 Remote diagnosis (Remote)



HW-MCG
HYUNDAI WIA
Machine Guidance

(FANUC)

Software that offers operation, maintenance, management monitoring and various user friendly features.



HW-TDC
HYUNDAI WIA Thermal
Displacement Compensation

Software that measures the changes in the external environment as well as heat emission during processing to help reduce thermal displacement.



HW-WARMUP
HYUNDAI WIA
WARMing Up

(FANUC)

Warm-up software that measures main spindle halt and offers system warm-up time automatically.



HW-ESS
HYUNDAI WIA
Energy Saving System

(FANUC)

An environmental friendly software that reduces the unnecessarily wasted standby power waiting for an operation.



HW-TOM
HYUNDAI WIA
Tool Offset Measurement

User friendly GUI software that indicates tool length, diameter, and damage (H/W excluded)



HW-TM
HYUNDAI WIA
Tool Monitoring

A tool monitoring software which analyzes the load of the spindle motor to determine and monitor possible damage of tools.

07

FD Series

SIEMENS Controller

Software for smart operating and machining



SIEMENS

DIFFERENTIATED CAPABILITIES, INTEGRATED ENGINEERING PERFECTLY INTERLINKED

SIEMENS 828D is a latest model CNC.

It is designed for horizontal/vertical all-purpose equipment.

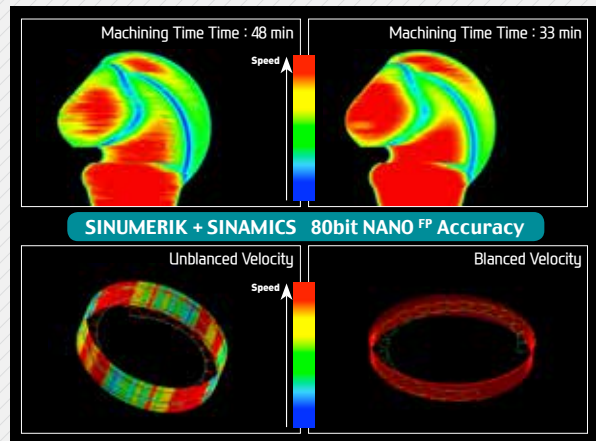
Its 80-bit control reduces processing time and increases productivity.

The 828D is easy to maintain and run, with its easy setup functions.



SIEMENS Advanced Surface

SIEMENS 828D comes with Advanced Surface, metal processing software that monitors speed and accuracy.



SIEMENS Technology

Shop Mill

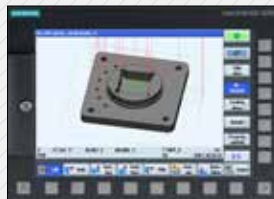
- Dialogue-type programming, simple and convenient
- Effective specifications for small quantity batch production
- Step-by-step operation possible without knowledge of the DIN/ISO code



OPTION

3D Simulation

- 3D confirmation of the completed processing configuration of the NC program is possible.
- Offers standards for 2D simulation.
- Possible to confirm the simulation of the NC program during processing.



OPTION

Easy Extend

- Easy to install/uninstall an option (Ex : barfeeder and chip conveyor, etc.)
- Possible to install in one motion without revision of individual perimeters.
- A spate list is unnecessary as option items are indicated with letters.



SIEMENS Communication

Variable Communication Port

RJ 45 Ethernet

USB 2.0

Compact Flash Card



Easy input/output of a program is possible as a USB memory card, a CF memory card and LAN can all be used.

ISO Code Programming



If the ISO Dialect (G291) is ordered, JIS-based G-code programs can be used. (Standard)

n8

FD Series

User Convenience



Various Devices for User Convenience

Measuring Device

Touch Sensor

Workpiece coordinate values can be set automatically using the optional spindle probe.



TLM - Laser & Touch

Tool lengths and diameters can be set automatically using the optional tool setter. This can also be used to monitor tool attrition and detect broken tools.



Laser Type

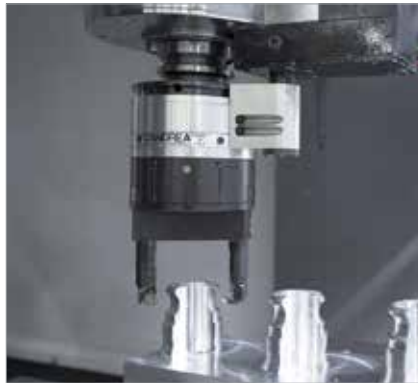


Touch Type

Precision Device

U-Center

With U-Center, both external and internal diameter turning become possible, allowing for a wide range of variety in products.



NC Rotary Table

The NCRT makes it possible to machine up to 5-axis. Various types of products can be machined.



❖ Please check interference when mounting NCRT.

Hydraulic Device

Hydraulic Supply Unit

Instead of the standard hydraulic supply unit, an optional fixture unit can bring the pressure up to **70 bar (1,015 psi)**, maximizing the clamping force on the fixture.



Coolant Unit

Std. Coolant (Nozzle)	Standard
Bed Flushing Coolant	Standard
Through Spindle Coolant (20/30 bar [290/435 psi])	Option
Shower Coolant	Option
Gun Coolant	Option
Side Oil Hole Coolant	Option



Chip Conveyor

Timely and effective disposal of chips will enhance productivity as well as the working environment.

- **Hinge Belt Type** : Highly efficient when disposing a lot of chips. Capable of handling stringy chips. **(Long Chip)**
- **Scraper Type** : Convenient for shortly cut chips.. **(Short Chip)**
- **Drum Filter Type** : Advantageous in precision, as the chips do not flow in to the coolant nozzle. **(AL Chip)**



Environment Device

Oil Skimmer

An oil skimmer can increase coolant and tool life by removing tramp oil contaminants.

Mist Collector

Mist Collector reduces the amount of smoke and oil mist in the air. This helps build a safe and comfortable working environment and improve durability.



SPECIFICATIONS

Standard & Optional

Spindle		F410D
10,000rpm (15/11kW [20/14.5HP])	FANUC	●
10,000rpm (22.5kW [30.2HP])	SIEMENS	○
Spindle Cooling System		○
ATC		
ATC Extension	24	●
	30	-
Tool Shank Type	BT40	●
	CAT40	○
U-Center	D'andrea	☆
	45°	☆
	60°	☆
Pull Stud	75°	●
	90°	☆
Table & Column		
APC	Rotary Turn	●
TAP TYPE Pallet		●
T-SLOT Pallet		○
NC Rotary Table		☆
High Column		-
Coolant System		
Std. Coolant (Nozzle)		●
Bed Flushing Coolant		●
	20bar (290 psi)	○
	30bar (435 psi), 20 ℓ (5.3 gal)	○
Through spindle coolant*	70bar (1,015 psi), 15 ℓ (4 gal)	○
	70bar (1,015 psi), 30 ℓ (8 gal)	-
Top Cover		○
Shower Coolant		☆
Gun Coolant		○
Side Oil Hole Coolant		☆
Air Gun		○
Cutting Air Blow		○
Tool Measuring Air Blow (Only for TLM)		○
Air Blow for Automation		☆
Thru MQL Device (Without MQL)		☆
Coolant Chiller		☆
Power Coolant System (For Automation)		☆
Chip Disposal		
Coolant Tank	300 ℓ (79.3 gal)	●
	600 ℓ (158.5 gal)	-
Cabin Screw Chip Conveyor		-
Chip Conveyor (Hinge/Scraper)	Rear (Left)	○
	Front (Right)	-
	Right (Rear)	-
Special Chip Conveyor (Drum Filter)		☆
Chip Wagon	Standard (180 ℓ [47.5 gal])	○
	Swing (200 ℓ [52.8 gal])	○
	Large Swing (290 ℓ [76.6 gal])	○
	Large Size (330 ℓ [87.2 gal])	○
	Customized	☆
S/W		
Machine guidance (HW-MCG) : FANUC/SIEMENS		☆/-
Tool Monitoring (HW-TM)		○
DFC Software (HW-eDFC)		○
Spindle Heat Distortion Compensation (HW-TDC)		○
Spindle Warm up Function (HW-WARMUP) : FANUC/SIEMENS		☆/-
Energy Saving System (HW-ESS) : FANUC/SIEMENS		☆/-
Machine Monitoring System (HW-MMS)		○
Tool Offset Measurement (HW-TOM)		☆

● : Standard ○ : Option ☆ : Prior Consultation - : Non Applicable

S/W		F410D
Machining Condition Selection (HW-MCS) : FANUC/SIEMENS		☆/-
Adaptive Feed Control (HW-AFC) : FANUC/SIEMENS		☆/-
Conversational Program (HW-DPRO)		○
Electric Device		
Call Light	1 Color : ●	●
Call Light	2 Color : ● ●	○
Call Light	3 Color : ● ● ●	○
Call Light & Buzzer	3 Color : ● ● ● B	○
Work Light		●
Electric Cabinet Light		○
Remote MPG		●
3 Axis MPG	FANUC	○
	SIEMENS	-
Work Counter	Digital	○
Total Counter	Digital	○
Tool Counter	Digital	○
Multi Tool Counter	6 EA	○
	9 EA	○
Electric Circuit Breaker		○
AVR (Auto Voltage Regulator)		☆
Transformer	25kVA	○
Auto Power Off		○
Back up Module for Black out		○
Measuring Device		
Air Zero	TACO	○
	SMC	○
Work Measuring Device		○
TLM (Marposh/Renishaw/Blum)	Touch	○
	Laser	☆
Tool Broken Detective Device		☆
Linear Scale	X/Y/Z Axis	-
Coolant Level Sensor (Only for Chip Conveyor, Bladder Type)		☆
Environment		
Air Conditioner		○
Dehumidifier		○
Oil Mist Collector		☆
Oil Skimmer (Only for Chip Conveyor)		○
MQL (Minimal Quantity Lubrication)		☆
Fixture & Automation		
Auto Door	Std.	○
	High Speed	☆
Auto Shutter (Only for Automatic System)		-
Sub O/P		☆
NC Rotary Table/F	Single	○
	Channel	☆
Control of Additional Axis	1Axis	☆
	2Axis	-
External M Code 4ea		○
Automation Interface		☆
I/O Extension (In & Out)	16 Contact	○
	32 Contact	○
Hyd. Device		
Std. Hyd. Unit	65bar (942.7 psi) / 35 ℓ (9.2 gal)	●
	45bar (652.7 psi) / 60 ℓ (15.8 gal)	-
	45bar (652.7 psi) / 13 ℓ (3.4 gal)	-
Center Hyd. Supply Device	2x3 (6 Port)	○
	2x5 (10 Port)	○
Compact Center Hyd. Supply Device	2x3 (6 Port)	-
Fixture Hyd. Unit	70bar (1,015 psi)	○
	100bar (1,450 psi)	○
	Customized	☆
ETC		
Tool Box		●
Customized Color	Need for Munsel No.	☆
CAD&CAM Software		☆

Through Spindle Coolant* : Please check the filter types with sales representative.
Specifications are subject to change without notice for improvement.

SPECIFICATIONS

Standard & Optional

		F500D	F600D
Spindle	8,000rpm (15/11kW [20/15HP])	●	●
	BELT		
8,000rpm (43/18.5kW [58/25HP])	BELT (SIEMENS)	○	-
10,000rpm (15/11kW [20/15HP])	BELT	○	-
12,000rpm (11/7.5kW [15/10HP])	DIRECT	○	○
Spindle Cooling System	8,000rpm	○	○
	10,000rpm	●	-
	12,000rpm	●	●
ATC			
ATC Extension	24	●	●
	30	○	○
Tool Shank Type	BT40	●	●
	CAT40	○	○
U-Center	D'andrea	☆	☆
	45°	●	●
Pull Stud	60°	☆	☆
	75°	☆	☆
	90°	☆	☆
Table & Column			
APC	Rotary Turn	●	●
TAP TYPE Pallet		●	●
T-SLOT Pallet		○	-
NC Rotary Table		☆	☆
High Column		-	-
Coolant System			
Std. Coolant (Nozzle)		●	●
Bed Flushing Coolant		○	○
	20bar (290 psi)	○	○
	30bar (435 psi), 20ℓ (5.3 gal)	○	○
	70bar (1,015 psi), 15ℓ (4 gal)	○	○
	70bar (1,015 psi), 30ℓ (8 gal)	-	-
Top Cover		○	○
Shower Coolant		☆	☆
Gun Coolant		○	○
Side Oil Hole Coolant		☆	☆
Air Gun		○	○
Cutting Air Blow		○	○
Tool Measuring Air Blow (Only for TLM)		○	○
Air Blow for Automation		☆	☆
Thru MQL Device (Without MQL)		☆	☆
Coolant Chiller		☆	☆
Power Coolant System (For Automation)		☆	☆
Chip Disposal			
Coolant Tank	300ℓ (79.3 gal)	●	-
	460ℓ (121.5 gal)	○	-
	600ℓ (158.5 gal)	-	●
Cabin Screw Chip Conveyor		-	-
Chip Conveyor (Hinge/Scraper)	Rear (Rear)	○	-
	Rear (Right)	○	○
	Right (Rear)	-	-
Special Chip Conveyor (Drum Filter)		☆	☆
Chip Wagon	Standard (180ℓ [47.5 gal])	○	○
	Swing (200ℓ [52.8 gal])	○	○
	Large Swing (280ℓ [76.6 gal])	○	○
	Large Size (330ℓ [87.2 gal])	○	○
	Customized	☆	☆
S/W			
Machine guidance (HW-MCG) : FANUC/SIEMENS		☆/-	☆
Tool Monitoring (HW-TM)		○	○
DNC Software (HW-eDNC)		○	○
Spindle Heat Distortion Compensation (HW-TDC)		○	○
Spindle Warm up Function (HW-WARMUP) : FANUC/SIEMENS		☆/-	☆
Energy Saving System (HW-ESS) : FANUC/SIEMENS		☆/-	☆
Machine Monitoring System (HW-MMS)		○	○

● : Standard ○ : Option ☆ : Prior Consultation - : Non Applicable

		F500D	F600D
S/W			
Tool Offset Measurement (HW-TOM)		☆	☆
Machining Condition Selection (HW-MCS) : FANUC/SIEMENS		☆/-	☆
Adaptive Feed Control (HW-AFC) : FANUC/SIEMENS		☆/-	☆
Conversational Program (HW-DPRO)		○	○
Electric Device			
Call Light	1 Color : ●	●	●
Call Light	2 Color : ●●	○	○
Call Light	3 Color : ●●●	○	○
Call Light & Buzzer	3 Color : ●●●B	●	●
Work Light		○	○
Electric Cabinet Light		●	●
Remote MPG		○	○
3 Axis MPG	FANUC	-	-
	SIEMENS	○	○
Work Counter	Digital	○	○
Total Counter	Digital	○	○
Tool Counter	Digital	○	○
Multi Tool Counter	6 EA	○	○
	9 EA	○	○
Electric Circuit Breaker		☆	☆
AVR (Auto Voltage Regulator)		☆	
Transformer	25kVA	-	-
	35kVA	○	○
Auto Power Off		○	○
Back up Module for Black out		○	○
Measuring Device			
Air Zero	TACO	○	○
	SMC	○	○
Work Measuring Device		○	○
TLM (Marposs/Renishaw/Blum)	Touch	○	○
	Laser	☆	☆
Tool Broken Detective Device		☆	☆
Linear Scale	X/Y/Z Axis	○	○
Coolant Level Sensor (Only for Chip Conveyor, Bladder Type)		☆	☆
Enviornment			
Air Conditioner		○	○
Dehumidifier		○	○
Oil Mist Collector		☆	☆
Oil Skimmer (Only for Chip Conveyor)		○	○
MQL (Minimal Quantity Lubrication)		☆	☆
Fixture & Automation			
Auto Door	Std.	○	○
	High Speed	☆	☆
Auto Shutter (Only for Automatic System)		-	-
Sub O/P		☆	☆
NC Rotary Table/F	Single	○	○
	Channel	☆	☆
Control of Additional Axis	1Axis	☆	☆
	2Axis	-	-
External M Code 4ea		○	○
Automation Interface		☆	☆
I/O Extension (In & Out)	16 Contact	○	○
	32 Contact	○	○
Hyd. Device			
Std. Hyd. Unit	65bar (942.7 psi) / 35ℓ (9.2 gal)	-	-
	45bar (652.7 psi) / 60ℓ (15.8 gal)	●	-
	45bar (652.7 psi) / 13ℓ (3.4 gal)	-	●
Center Hyd. Supply Device	2x3 (6 Port)	○	○
	2x5 (10 Port)	○	○
Compact Center Hyd. Supply Device	2x3 (6 Port)	○	-
	70bar (1,015 psi)	○	○
Fixture Hyd. Unit	100bar (1,450 psi)	-	-
	Customized	☆	☆
ETC			
Tool Box		●	●
Customized Color	Need for Munsel Flo.	☆	☆
CAD&CAM Software		☆	☆

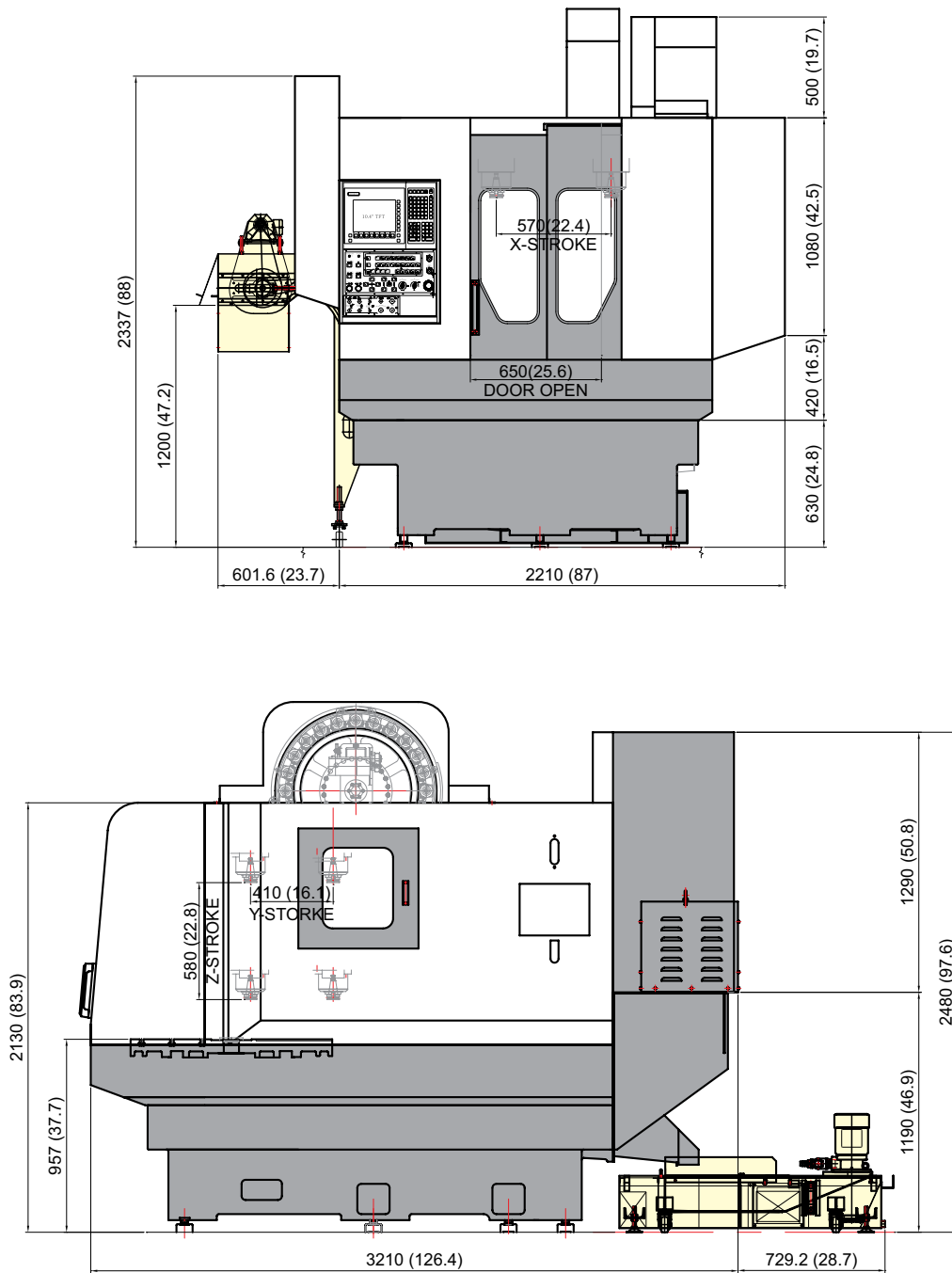
Through Spindle Coolant* : Please check the filter types with sales representative.
Specifications are subject to change without notice for improvement.

SPECIFICATIONS

External Dimensions

unit : mm(in)

F410D

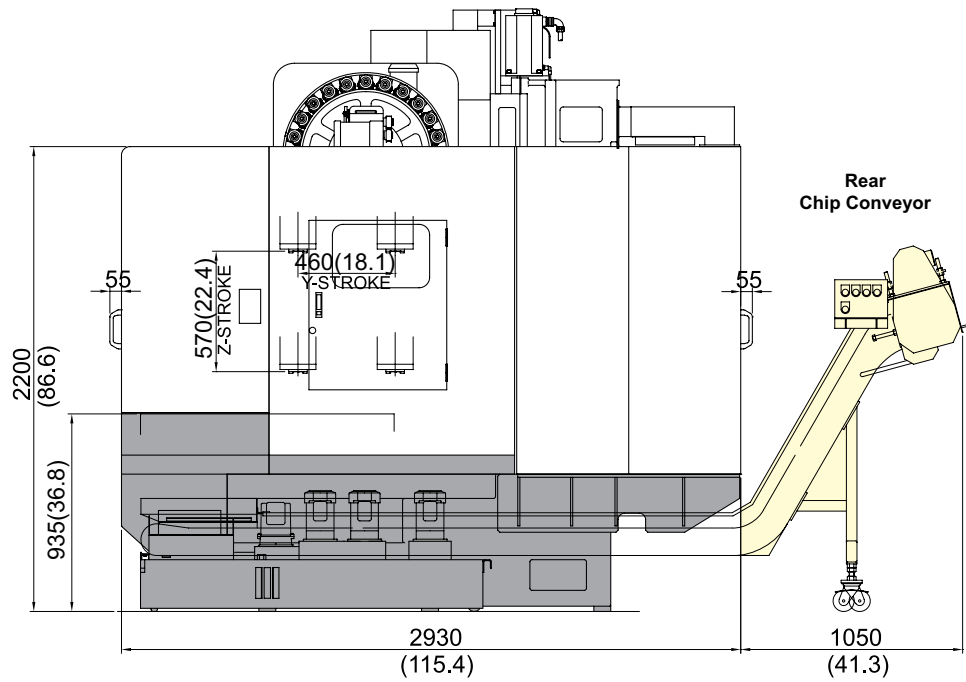
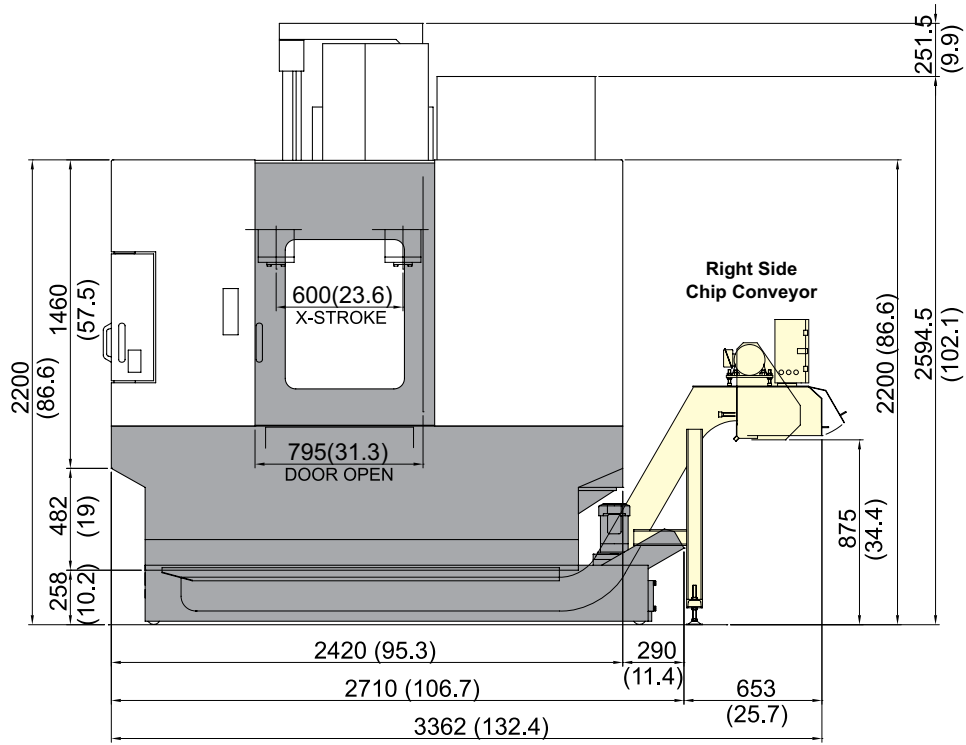


SPECIFICATIONS

External Dimensions

unit : mm(in)

F500D

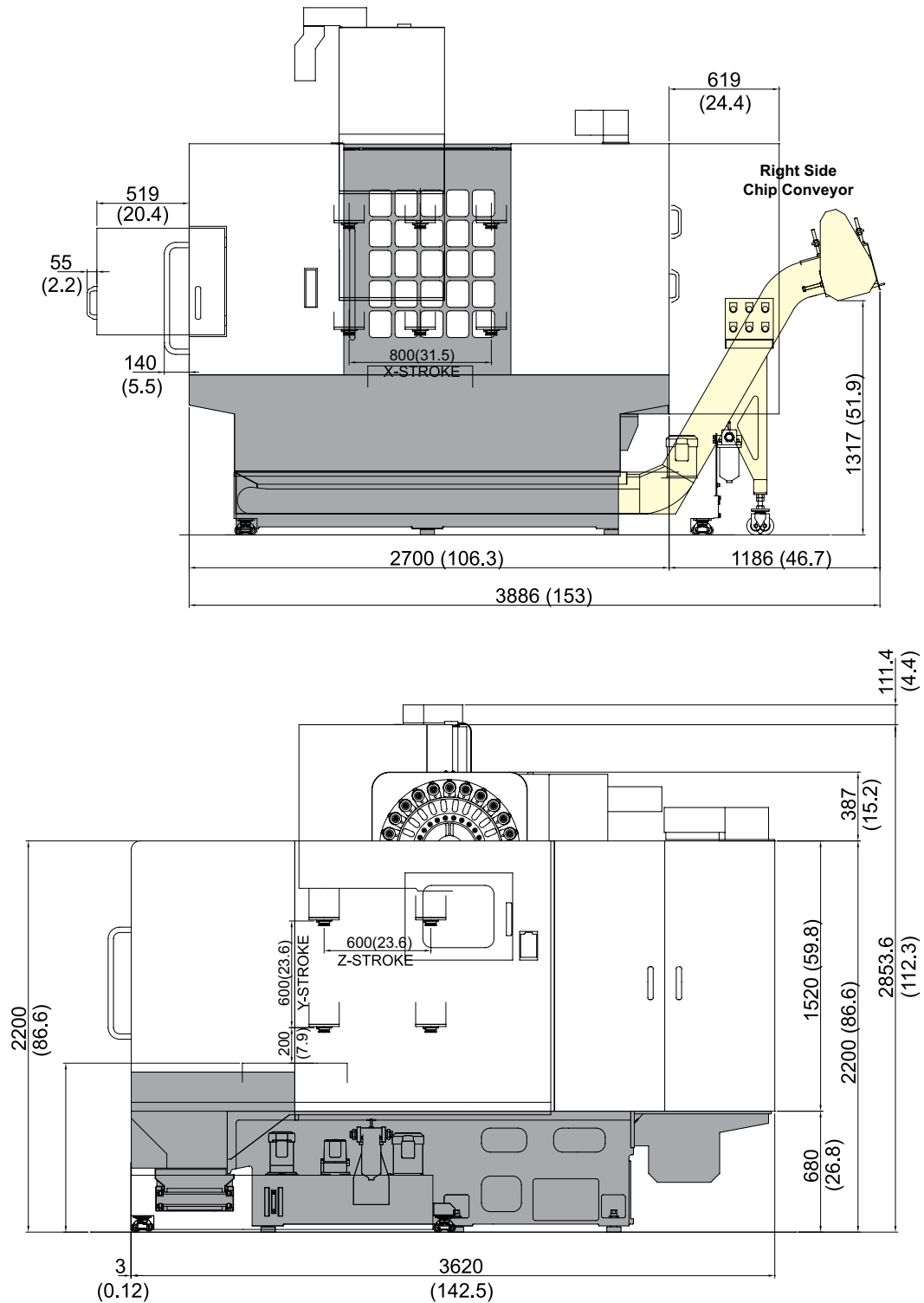


SPECIFICATIONS

External Dimensions

unit : mm(in)

F600D



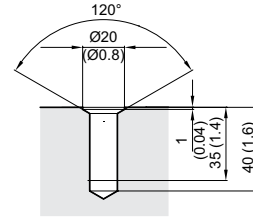
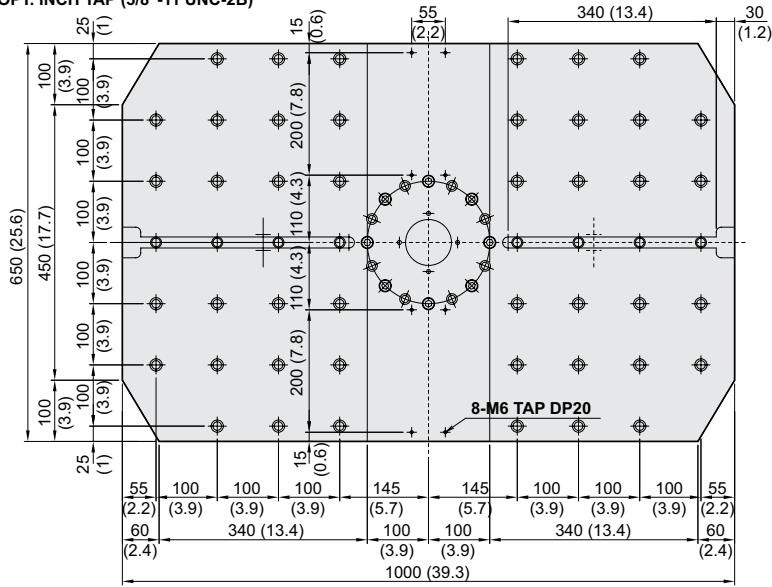
SPECIFICATIONS

Table Dimensions

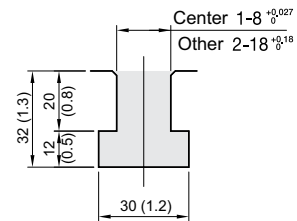
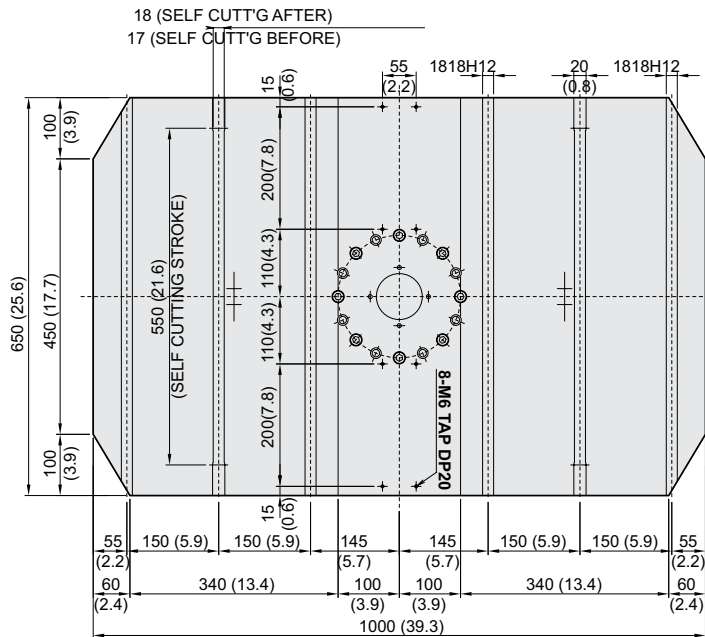
unit : mm(in)

F410D

STD. MM TAP (M16 TAP)
OPT. INCH TAP (5/8"-11 UNC-2B)



Tap Detail
(M16 Tap)



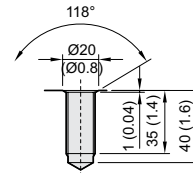
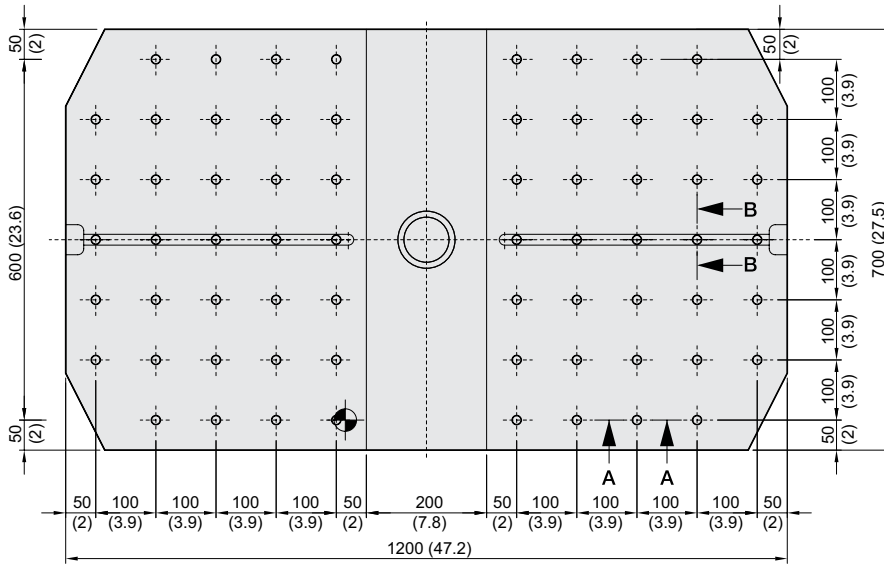
T-Slot Detail

SPECIFICATIONS

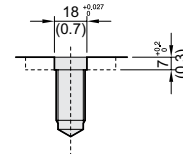
Table Dimensions

unit : mm(in)

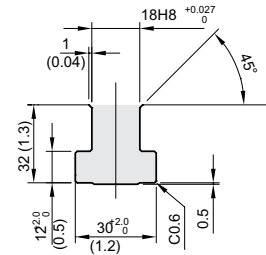
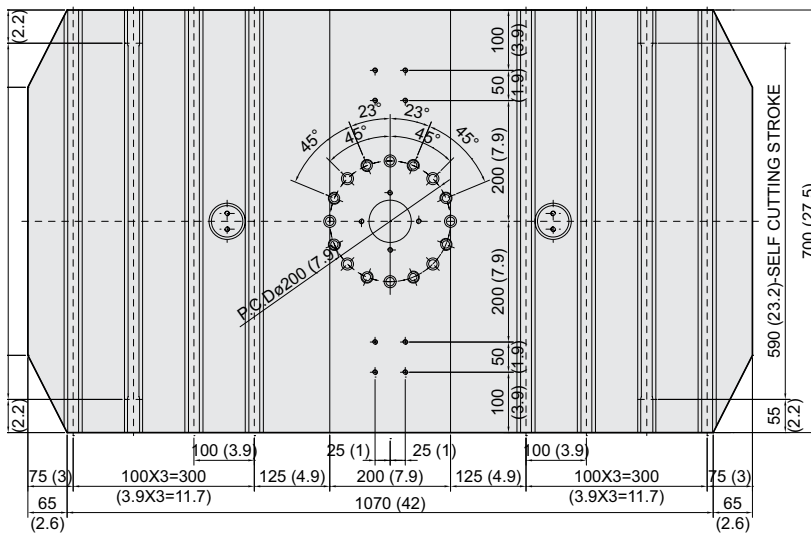
F500D



SECTION A-A
Tap Detail
(M16 Tap)



SECTION B-B
Tap Detail
(M16 Tap)



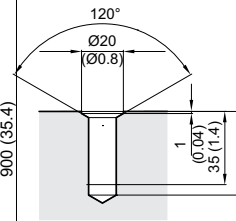
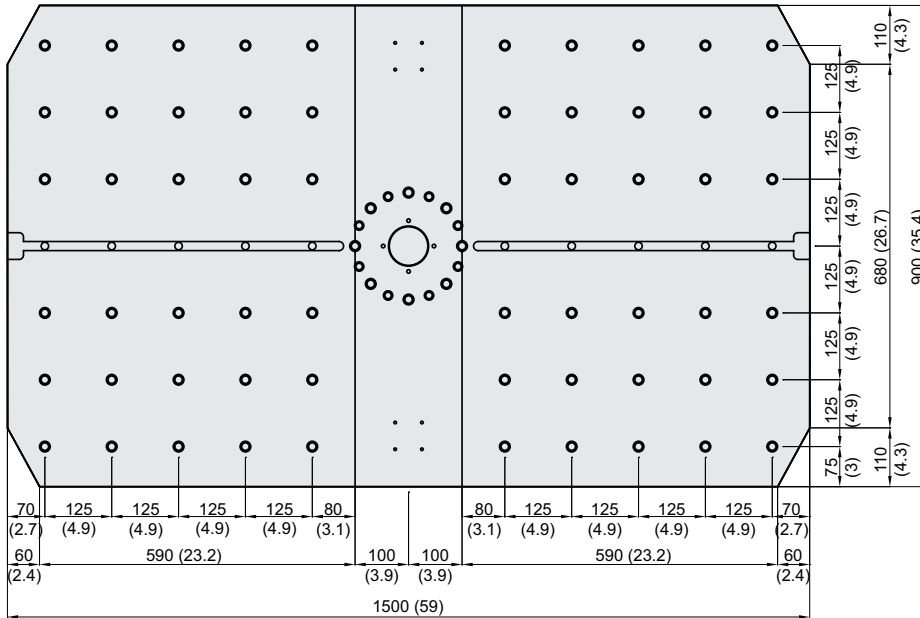
T-Slot Detail

SPECIFICATIONS

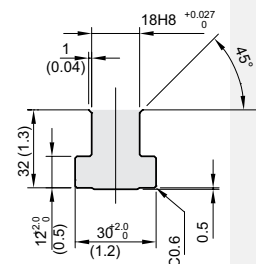
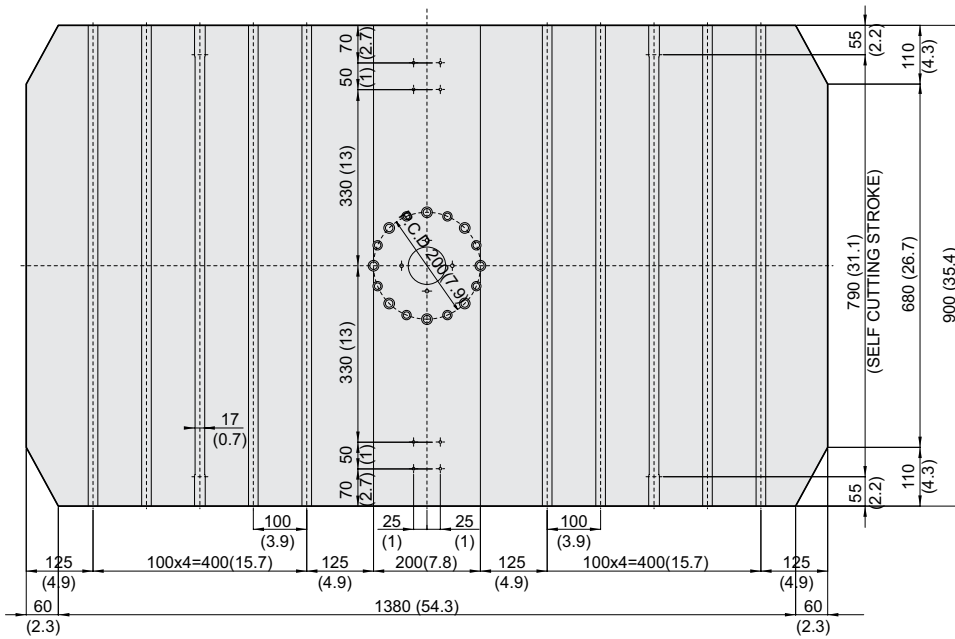
Table Dimensions

unit : mm(in)

F600D



Tap Detail
(M16 Tap)



T-Slot Detail

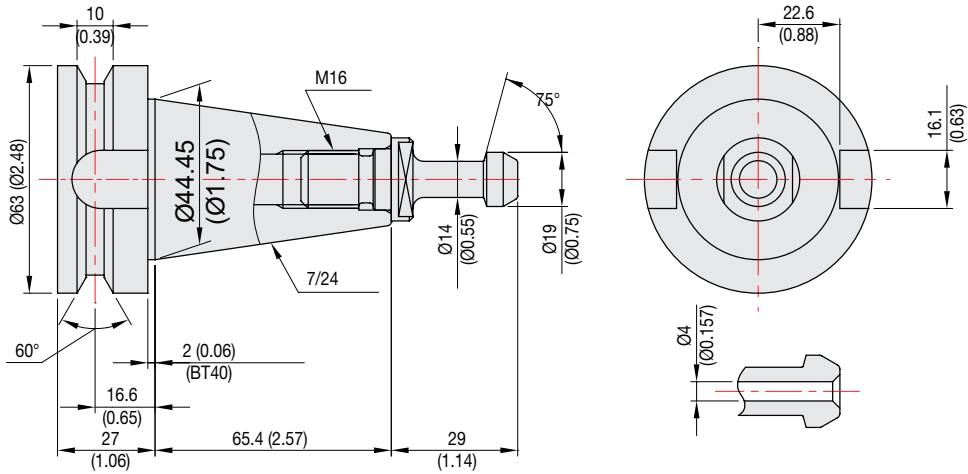
SPECIFICATIONS

Tool Shank

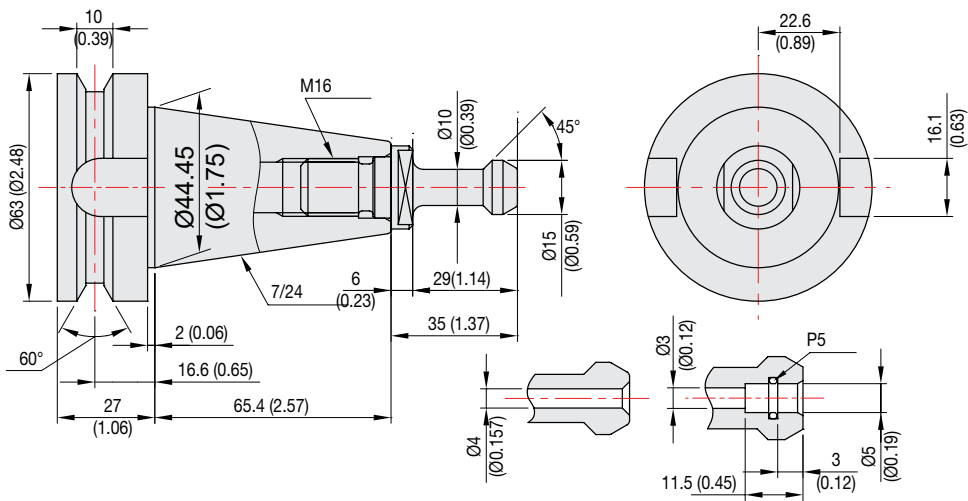
unit : mm(in)

BT40

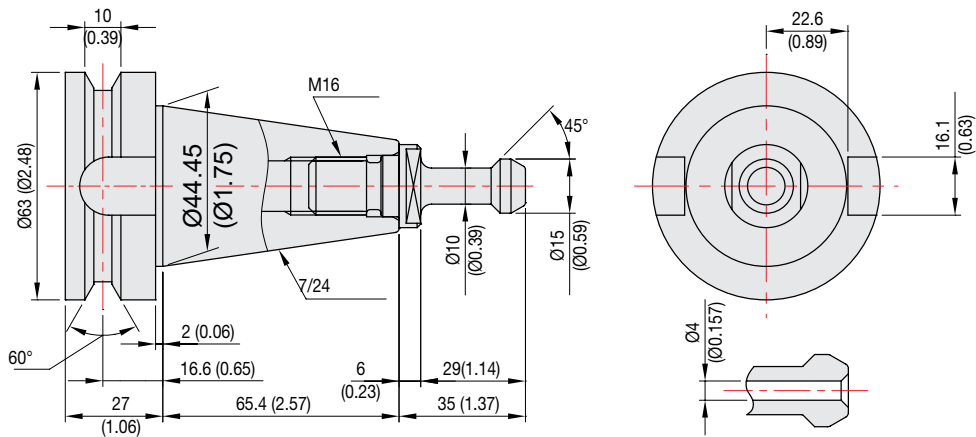
F410D



F500D



F600D



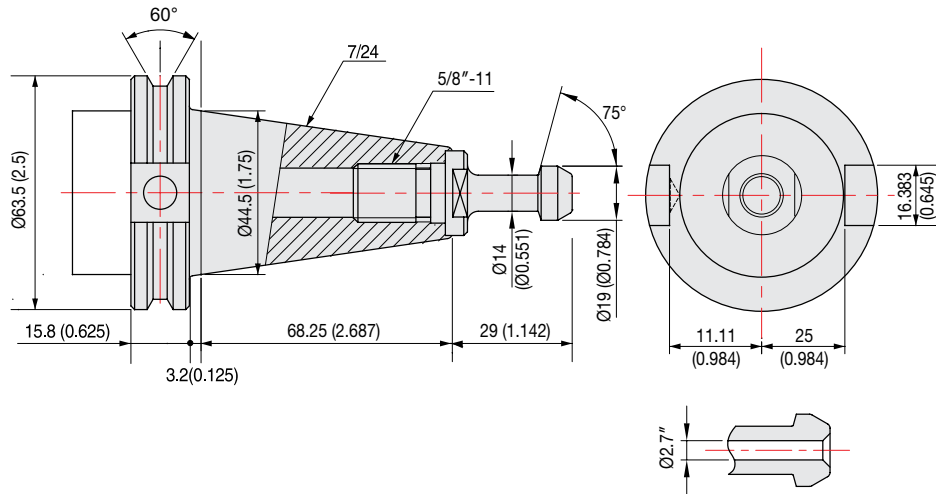
SPECIFICATIONS

Tool Shank

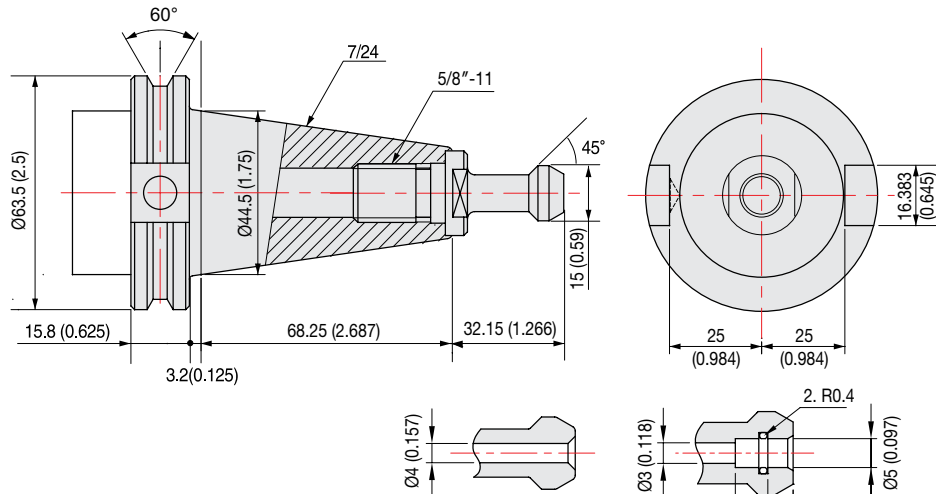
unit : mm(in)

CAT40

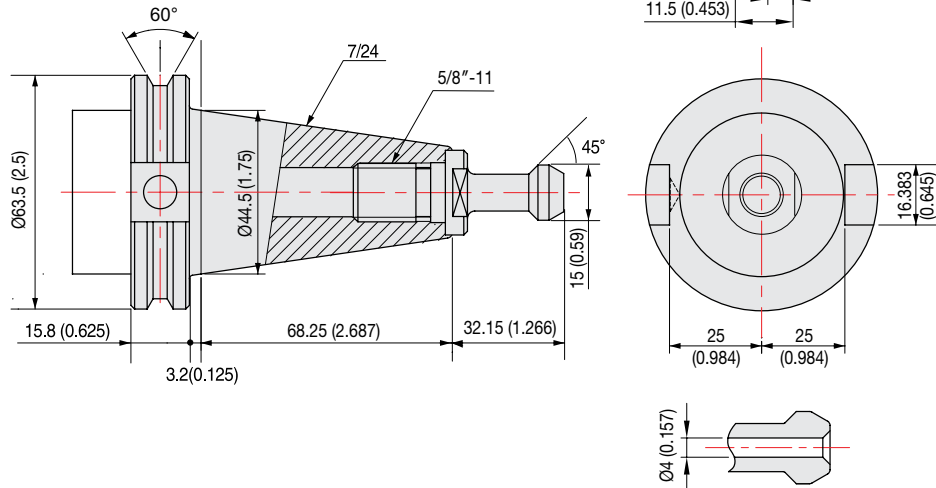
F410D



F500D



F600D



SPECIFICATIONS

Specifications

[] : Option

ITEM		F410D	F500D
TABLE	Table Size	mm(in) 2-650×410 (2-25.6"×16.1")	2-700×500 (2-27.6"×19.7")
	Maximum Load Capacity	kg(lb) 2-250 (2-551)	2-350 (2-772)
	Table Change Time	sec 5.2	6
	Change Method	-	Rotary Turn
	Table Driving Method	-	Rack & Pinion
SPINDLE	Spindle Taper	-	NT #40
	Spindle RPM	r/min 10,000 [10,000]	8,000 [10,000] [12,000] [8,000]
	Spindle Power Output (Max./Cont.)	kw(HP) 18.5/15(24.8/20.1) [22.5/15(30.2/20.1)]	15/11(20.1/14.8) [15/11(20.1/14.8)] [11/7.5(14.8/10)] [43/18.5(57.7/24.8)]
	Spindle Torque (Max./Cont.)	N·m(lbf·ft) 117.7/95.4(86.8/70.4) [189/126(139.4/92.9)]	287/143(211.7/105.5) [230/115 (170/84.8)] [70/47 (51.6/34.7)] [300/157(221.3/115.8)]
	Spindle Driving Method	-	BELT [BELT] BELT [BELT] [BELT] [DIRECT]
FEED	Travel (X/Y/Z)	mm(in) 570/410/580 (22.4"/16.1"/22.8")	600/460/570 (23.6"/18.1"/22.4")
	Distance from Table Surface to SP	mm(in) 197~777 (7.8"~30.6")	200~770 (7.9"~30.3")
	Distance from Column to SP. center	mm(in) 495 (19.5")	500 (19.7")
	Rapid Traverse Rate (X/Y/Z)	m/min(ipm) 36/36/30 (1,417/1,417/1,181)	40/40/30 (1,575/1,575/1,181)
	Slide Type	-	LM GUIDE X/Y : ROLLER GUIDE, Z : BOX GUIDE
ATC	Number of Tools	EA 24	24 [30]
	Tool Shank	-	BT40
	Max. Tool Dia. (W.T / W.O)	mm(in) \varnothing 90/ \varnothing 150 (3.5"/5.9")	
	Max. Tool Length	mm(in) 300 (11.8")	
	Max. Tool Weight	kg(lb) 8 (17.6)	
	Tool Selection Method	-	RANDOM
	Tool Change Time	T-T	sec 1.3
C-C		sec 3.5	4.3
TANK CAPACITY	Coolant Tank	ℓ (gal) 300 (79.3)	
	Lubricating Tank	ℓ (gal) 1.32 (0.3)	3.1 (0.8)
	Hydraulic Tank	ℓ (gal) 35 (9.2)	60 (15.9)
POWER SUPPLY	Air Consumption (0.5MPa)	ℓ /min(gal) 400	
	Electric Power Supply	KVA 30	28
	Thickness of Power Cable	Sq Over 22	Over 25
	Voltage	V/Hz 220/60 (200/50*)	
MACHINE	Floor Space (L×W)	mm(in) 2,200×3,160 (86.6"×124.4")	2,710×2,930 (106.7"×115.4")
	Height	mm(in) 3,015 (118.7")	2,852 (112.3")
	Weight	kg(lb) 6,400 (14,110)	9,500 (20,944)
PC	Controller	- HW F i Series [F 32i-B] [SIEMENS 828D]	HW F i Series [F 32i-A] [SIEMENS 828D]

*) Using 50Hz voltage instead of 60Hz may lower the output of motors. (excluding servo motors and inverter motors)
Specifications are subject to change without notice for improvement.

SPECIFICATIONS

Specifications

[] : Option

ITEM		F600D	
TABLE	Table Size	mm(in)	2-900×650 (2-35.4"×25.6")
	Maximum Load Capacity	kg(lb)	2-400 (2-882)
	Table Change Time	sec	8.5
	Change Method	-	ROTARY TURN
	Table Driving Method	-	RACK & PINION
SPINDLE	Spindle Taper	-	BT #40
	Spindle RPM	r/min	8,000 [12,000]
	Spindle Power Output (Max./Cont.)	kw(HP)	15/11 (20.1/14.8) [11/7.5 (14.8/10)]
	Spindle Torque (Max./Cont.)	N·m(lbf·ft)	287/143 (211.7/105.5) [70/47 (51.6/34.7)]
	Spindle Driving Method	-	BELT [DIRECT]
FEED	Travel (X/Y/Z)	mm(in)	800/600/600 (31.5"/23.6"/23.6")
	Distance from Table Surface to SP	mm(in)	200~800 (7.9"~31.5")
	Distance from Column to SP. center	mm(in)	690 (27.2")
	Rapid Traverse Rate (X/Y/Z)	m/min(ipm)	42/42/42 (1,654/1,654/1,654)
	Slide Type	-	ROLLER GUIDE
ATC	Number of Tools	EA	24 [30]
	Tool Shank	-	BT40
	Max. Tool Dia. (W.T / W.O)	mm(in)	Ø90/Ø150 (3.5"/5.9")
	Max. Tool Length	mm(in)	300 (11.8")
	Max. Tool Weight	kg(lb)	8 (17.6)
	Tool Selection Method	-	RANDOM
	Tool Change Time	T-T	sec
C-C		sec	4.2
TANK CAPACITY	Coolant Tank	ℓ (gal)	600 (158.5)
	Lubricating Tank	ℓ (gal)	3.1 (0.8)
	Hydraulic Tank	ℓ (gal)	23 (6.1)
POWER SUPPLY	Air Consumption (0.5MPa)	ℓ /min(gal)	400
	Electric Power Supply	kVA	30
	Thickness of Power Cable	Sq	Over 25
	Voltage	V/Hz	220/60 (200/50*)
MACHINE	Floor Space (L×W)	mm(in)	2,720×3,620 (107.1"×142.5")
	Height	mm(in)	2,965 (116.7")
	Weight	kg(lb)	8,500 (18,739)
PC	Controller	-	HYUNDAI WIA FANUC i Series [FANUC 32i-A]

*) Using 50Hz voltage instead of 60Hz may lower the output of motors. (excluding servo motors and inverter motors)
Specifications are subject to change without notice for improvement.

CONTROLLER

HYUNDAI WIA FANUC i Series

Controlled axis / Display / Accuracy Compensation	
Controlled axis	3 axis (X, Y, Z)
Simultaneous controllable axis	3 axis (G00 & G01 : 3 axis, G02 & G03 : 2 axis)
Least input increment	X, Y, Z축: 0.001 mm (0.0001")
Least command increment	X, Y, Z축: 0.001 mm (0.0001")
Inch/Metric conversion	G20 / G21
Interlock	Each axis / All axis
Machine lock	All axis
Emergency stop	
Stored stroke check 1	Over Travel
Stored stroke check 2	
Stored stroke check 3	
Follow-up	
Servo off	
Backlash compensation	+/- 0~9999 pulse (rapid traverse & cutting feed)
Position switch	
Stored pitch error compensation	
LCD/MDI	8.4" color LCD
Operation	
Automatic operation (memory)	
MDI operation	
DNC operation	Need DNC Program
Search function	Sequence, Program
Program restart	
Wrong operation prevention	
Buffer register	
Program check function	Dry run, program check
Single block	
Handle interrupt	
Feed functions	
Manual jog feed	Rapid, Jog, handle
Manual handle feed-rate	x1, x10, x100
Feed command	F code feedrate direct command
Feedrate override	0~200% (10% Unit)
Jog feed	0~5,000 mm/min (197 ipm)
Rapid traverse override	F1, F25%, F50%, F100%
Override cancel	
Rapid traverse bell-shaped acceleration/ deceleration	
Auto corner override	G62
Program input & Interpolation functions	
Label Skip	
Control in/out	
Nano Interpolation	Positioning/Linear/Circular (G00/G01/G02/G03)
Exact stop mode/Exact stop	G61 / G09
Dwell	G04, 0~9999.9999sec
Helical interpolation	
Threading/synchronous feed	G33
Manual reference point return	
Reference point return	G28
Reference point return check	G27
2nd, 3rd, 4th Reference point return	G30
Program stop/end	M00, M01 / M02, M30
Tape code	EIA RS-244/ISO 840 (Automatic recognition)
Optional block skip	1 EA
Max. programmable dimensions	+/- 9999.9999 (+/- 8 digits)
Program number	04 /N8
Absolute/incremental command	G90 / G91
Decimal point input	
Plane selection	G17, G18, G19
Work coordinate system setting	G52~G59
Work coordinate preset	G50.3
Additional work coordinate system	G54.1 P1 ~P48 (48 pairs)
Manual absolute	"On" fixed
Programmable data input	G10

Program input & Interpolation functions	
Sub program call	10 folds nested
Custom macro	
Addition to custom macro common variables	#100 ~ #199, #500 ~ #999
Cylindrical interpolation	G02, G03
Canned cycle	G73, G74, G76, G80 ~ G89
Optional chamfering/corner R	
Skip function	G31
High speed Skip function	
Automatic coordinate system setting	
Coordinate system rotation	G68, G69
Programmable mirror image	G50.1, G51.1
Single direction positioning	G60
External data input	Tool offset, message, machine zero point shift
Cylindrical interpolation	
AI advanced preview control	G5.1 (20 Block look ahead)
Polar coordinate command	G15, G16
Sub / Spindle functions	
Miscellaneous function	M3 digits
Miscellaneous function lock	
Spindle speed command	S5 digits, binary output
Spindle speed override	50%~120% (10% unit)
Spindle orientation	
Rigid tapping	
Tool functions / Tool compensation	
Tool function	Max. T8 digits
Cutter compensation C	G40~G42
Tool length measurement	Z Axis INPUT C
Tool length compensation	G43, G44, G49
Tool offset amount	G45~G48 (+/- 6 digits)
Tool offset pairs	400 pairs
Tool life management	
Data input / Output & Editing functions	
Reader/Puncher interface	RS232C
Memory card input/output	
USB input/output	
Embedded Ethernet	100Mbps
Part program storage length	1280m (512 Kbyte)
Registered programs	400 ea
Memory lock	
Back ground editing	
Extended part program editing	Copy, move, change of NC program
Setting, display, diagnosis	
Self-diagnosis function	
History display	Alarm & operator message
Help function	
Run hour/Parts count display	
Actual cutting feedrate display	
Spindle/Servo setting screen	
Multi-language display	Selection of 5 optional language
Dynamic switching display language	
LCD Screen Save	Screen saver
Option	
Sub Axis Control	4, 5 Axis
wo way pitch error compensation	
Manual Guide Oi	8.4" color LCD
Manual Guide i	10.4" color LCD (Conversational Program)
Dynamic graphic display	
Optional block skip add	9 ea (Application can be limited)
AI contour control(AICC)	40 Block look ahead
AI contour control(AICC) II	200 Block look ahead
Nano Smoothing	
Tool Management Function	
Protection of data at 8 levels	
Data server	1GB
FAS Ethernet	100 Mbps (Option board is required)
Part program storage length Expand	5120m (2 Mbyte)

Figures in inch are converted from metric values.

The FANUC controller specifications are subject to change based on the policy of company CNC supplying.

CONTROLLER

SIEMENS 828D (F410D | F500D)

Control Function	
Max. configuration of axis	5 axis
Max. configuration of axis and spindle	6 axis (axis + spindle)
Least Command/input	0.0001mm / 0.00001inch
Feed Function	
Feedrate Override	0 - 120%
Rapid Traverse Override	F0, 5, 25/50, 100%
Acceleration with jerk limitation	
Programmable acceleration	
Follow-up mode	
Measuring system 1 and 2, selectable	
Separate path feed for corners and chamfers	
Travel to fixed stop	
Spindle Functions	
Spindle Override	50% - 120%
Spindle Orientation	
Spindle Speed Limitation	
Rigid Tapping	
Interpolations	
Linear interpolation axis	Max 4 axis
Circle via center point and end point	
Circle via interpolation point	
Helical interpolation	
Universal interpolator NURBS (non-uniform rational B splines)	
Advanced Surface	High Speed, High Rigidity Function
Compressor for 3-axis machining	
Tool Function	
Tool Radius Comp.	
Zero Offset (G54, G55, G56, G57, G58, G59)	100 EA
Programmable Zero Offset	
3D Tool Radius Compensation	
Tool management	
Display	
CRT / MDI	10.4" Color LCD
Screen saver	
Manual Operation	
Manual Handle/Jog Feed	
Reposition	
Reference Approach	Ref 1, 2 Approach
Spindle Control	Start, Stop, Rev. Jog, Ort.
Auto Operation	
Single Block	
Feed Hold	
Optional Block Skip	
Machine Lock	
Dry Run	
Simulation	2D
Diagnosis Function	
Alarm display	
Spindle Load Meter/RPM Meter (monitor)	
PLC status/LAD display	

Programming Function	
Part Program Storage Length	SMB
Program Name	23 digits
Subroutine Call	Protection Level
Absolute/Incremental Command	G90 - G91
Scaling, ROT	
Inch / Metric Conversion	
Conversational Cycle Program	
Block Search	
Variable Program (Macro)	
Read / Write System Variable	
BackGround Editing	
Miscellaneous Functions	M - Code
Label Skip	
Program Stop / End	M00, M01, M02, M30
Lookahead, Jerk Limitation Feed & Forward Control	150 Block
SIEMENS Program exe.	
Maximum number of tools/cuttings	256/512
Number of levels for skip blocks 1	
Protection Function	
Emergency Stop	
Over Travel	Soft Limit
Contour Monitoring	
Program Protection	
Automation Support Fun.	
Actual Speed Display(Monitor)	
Tool Life Management	(Time, Parts)
Work Count Function	(Internal)
Language Function	
	(6EA)
Two Language switchable	Chinese Traditional, Czech, Danish, Dutch, Finnish, Hungarian, Japanese, Korean, Polish, Russian, Swedish, Portuguese, Turkish
Data Transfer	
RS 232C I/F / Ethernet	
Ethernet	
USB Memory Stick & CF Card	
Option	
DRF offset	
Load and save of MDI	
Teach-in	
Number of levels for skip blocks 8	
Simulation in 3D display	
Shop Mill	Conversational Program
TRACYL	
TRANSMIT	

CONTROLLER

FANUC 32i-B (F410D)

[] : Option ☆ Needed technical consultation

Controlled axis / Display / Accuracy Compensation	
Control axes	3 axes (X, Y, Z) 4 axes (X, Y, Z, B)
Simultaneously controlled axes	3 axes [Max. 4 axes]
Least setting Unit	X, Y, Z axes : 0.001 mm (0.0001 inch) B axes : 1 deg [0.001] deg
Least input increment	X, Y, Z axes : 0.001 mm (0.0001 inch) B axes : 1 deg [0.001] deg
Inch / Metric conversion	G20 / G21
High response vector control	
Interlock	All axes / Each axis
Machine lock	All axes
Backlash compensation	± 0 ~ 9999 pulses (Rapid traverse / Cutting feed)
Position switch	
LCD / MDI	10.4 inch color LCD
Feedback	Absolute motor feedback
Stored stroke check 1	Over travel
Stored pitch error compensation	
Operation	
Automatic operation (Memory)	
MDI operation	
DNC operation	Needed DNC software / CF card
Program restart	
Wrong operation prevention	
Program check function	Dry run, Program check Z axes Machine lock, Stroke check before move
Single block	
Search function	Program Number / Sequence Number
Interpolation functions	
Nano interpolation	
Positioning	G00
Linear interpolation	G01
Cylindrical interpolation	G02, G03
Exact stop mode	Single : G09, Continuous : G61
Dwell	G04, 0 ~ 9999.9999 sec
Skip	G31
Reference position return	1st reference : G28 2nd reference : G27 Ref. position check : G30
Thread synchronous cutting	G33
Helical interpolation	Circular + Linear interpolation 2 axes(max.)
Feed function / Acc. & Dec. control	
Manual feed	Rapid traverse Jog : 0~5,000mm/min (197 ipm) Manual handle : x1, x10, x100 pulses Reference position return
Cutting Feed command	Direct input F code
Feedrate override	0 ~ 200% (10% Unit)
Rapid traverse override	F0% (F1%), F25%, F50%, F100%
Override cancel	
Feed per minute	G94
Feed per revolution	G95
Look-ahead block	40 Block 200 Block (Mold)
Program input	
Tape Code	EIA / ISO
Optional block skip	1 ea
Absolute / Incremental program	G90 / G91
Program stop / end	M00, M01 / M02, M30
Maximum command unit	± 999,999.999 mm (± 99,999.9999 inch)
Plane selection	X-Y : G17 / Z-X : G18 / Y-Z : G19
Workpiece coordinate system	G52, G53, 6 pairs (G54 ~ G59)
Manual absolute	Fixed ON
Programmable data input	G10
Sub program call	10 folds nested
Custom macro	#100 ~ #149, #500 ~ #549
G code system	A
Programmable mirror image	G51.1, G50.1
G code preventing buffering	G4.1
Including Chamfering / Corner R	
Canned cycle	G73, G74, G76, G80 ~ G89
Coordinate rotation	G68, G69

Auxiliary function / Spindle speed function	
Auxiliary function	M & 4 digit
Level-up M Code	Multi / Bypass M code
Spindle speed command	S & 5 digit , Binary output
Spindle override	0% ~ 150% (10% Unit)
Spindle orientation	M19
FSSB high speed rigid tapping	
Tool function / Tool compensation	
Tool function	Max. T 8 digit
Tool life management	256 pairs ☆
Tool offset pairs	64 pairs
Tool nose radius compensation	G40, G41, G42
Tool nose length compensation	G43, G44, G49
Tool offset memory C	Tool length, diameter, abrasion(length, diameter)
Tool length measurement	Z axes Input C
Editing function	
Part program storage size	640m (256KB)
No. of registerable programs	500 ea
Program protect	
Background editing	
Extended part program editing	Copy, move and change of NC program
Memory card program edit	
Data input / output & Interface	
I/O interface	RS 232C serial port, CF card, USB memory Embedded Ethernet interface
Screen hard copy	
External message	
External key input	
External workpiece number search	
Automatic data backup	
Setting, display and diagnosis	
Self-diagnosis function	
History display	Alarm & Operator message & Operation
Run hour / Parts count display	
Maintenance information	
Actual cutting feedrate display	
Display of spindle speed / T code	
Graphic display	
Operating monitor screen	Spindle / Servo load etc.
Power consumption monitoring	Spindle & Servo
Spindle / Servo setting screen	
Multi language display	Support 20 languages
Display language switching	Selection of 5 optional Languages
LCD Screen Saver	Screen saver
Processing select	Speed/rigidity setting
Option	
Additional optional block skip	9 ea ☆
Fast ethernet	Needed option board
Data server	Needed option board
Protection of data at 8 levels	
Sub Spindle control	
Polar coordinate command	G15, G16
Polar coordinate interpolation	G12.1, G13.1
Cylindrical interpolation	G07.1
One-way positioning	G60
Stored stroke check 2, 3	
Inverse-time feed	G93
Scaling	G50, G51
Manual guide i	Conversational auto program
Handle interrupt	
Manual handle feed	2/3 units
Additional custom macro variables	#100~#199, #500~#999
Retraction for rigid tapping	#100~#199, #500~#999, #98000~#98499
Tool management function	
Tool offset number	Max. 400 pair
Program storage capacity	512KB ~ 2MB
Program registration number	Max. 1000 ea
Additional work coordinate	48 pair (G54.1 P1 ~ P48)
AICC II	200 block 400 block ☆

Figures in inch are converted from metric values.

The FANUC controller specifications are subject to change based on the policy of company CNC supplying.

CONTROLLER

FANUC 32i-A (F500D | F600D)

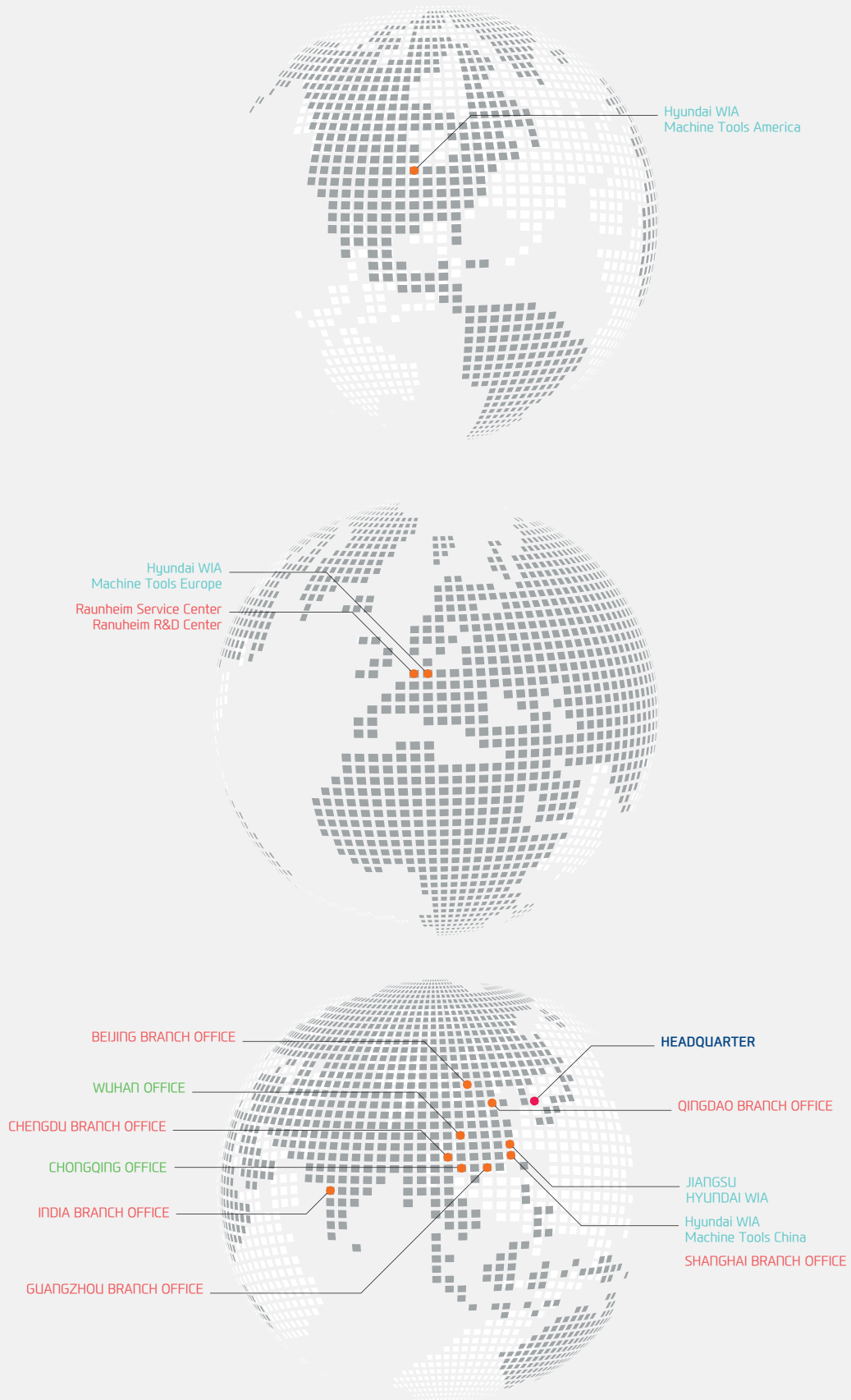
Axis control / Display unit	
Controlled axis	3 axis (X, Y, Z)
Simultaneous controllable axis	3 axis (G00 & G01 : 3 axis, G02 & G03 : 2 axis)
Least input increment	X, Y, Z axis : 0.001mm (0.0001")
Least command increment	X, Y, Z axis : 0.001mm (0.0001") G20 / G21
Inch / Metric conversion	G20 / G21
Interlock	Each axis / All axis
Machine lock	All axis
Emergency stop	
Stored stroke check 1	
Mirror Image	
Follow-up	
Servo off	
Backlash compensation	+/- 0~9999 pulse (rapid traverse & cutting feed)
Position switch	
Pitch error compensation	
LCD/MDI	10.4" color LCD
Operation	
Automatic operation (memory)	
MDI operation	
Research Function	Sequence, Program
Program restart	
Dry run	
Single Block	
Buffer register	
Memory Card DNC operation	
Feed functions	
Manual jog feed	Rapid, Jog, handle
Manual handle feed-rate	x1, x10, x100
Feed command	F code feedrate direct command
Feedrate override	0~200% (10% Unit)
Jog feed	0~5,000 mm/min (197 ipm)
Rapid traverse override	F0, F25%, F50%, F100%
Override cancel	
Rapid traverse bell-shaped acce/deceleration	
Program input & Interpolation functions	
Label Skip	
Interpolation function	Positioning/Linear/Circular (G00/G01/G02/G03)
Exact stop mode/Exact stop	G61 / G09
Control in/out	
Dwell	
Helical interpolation	G04, 0~9999.9999sec
Threading/synchronous feed	
Manual reference point return	
Reference point return	
Reference point return check	G28
2nd, Reference point return	G27
Program stop/end	G30
Tape code	M00, M01 / M02, M30
Optional block skip	EIA / ISO (Automatic recognition)
Max. programmable dimensions	1 ea
Program number	+/- 9999.9999" (+/- 8digit)
Sequence number	04 / 18 digit
Absolute/incremental command	
Decimal point input	G90 / G91
Plane selection	G17, G18, G19
Work coordinate preset	G52~G59
Manual absolute	"On" fixed
Programmable data input	G10
Sub program call	10 folds nested
Custom macro	

Program input & Interpolation functions	
AI Contour Control(AICC I)	
Cylindrical interpolation	
Canned cycle	
Optional chamfering/corner R	G73, G74, G76, G80 ~ G89
Skip function	
Automatic coordinate system setting	G31
Coordinate system rotation	
Programmable mirror image	
Sub / Spindle functions	
Miscellaneous function	M3 digit
Miscellaneous function lock	
Spindle speed command	S5 digits, binary output
Spindle speed override	50% ~ 120% (10% Unit)
Spindle orientation	
Rigid tapping	
Tool functions / Tool compensation	
Tool function	Max. T8 digits
Cutter compensation C	G40~G42
Tool length compensation	G43, G44, G49
Tool offset pairs	64 Pair
Tool life management	
Data input / Output & Editing functions	
Reader/Puncher interface	RS232C
Memory card input/output	
Embeded Ethernet	100 Mbps
Part program storage length	320 m (128 Kbyte)
Registered programs	125 ea
Memory lock	
Back ground editing	
Extended part program editing	Copy, move, change of PLC program
External message	
Setting, Display, Diagnosis	
Self-diagnosis function	
Alarm history display	Alarm & Message
Help function	
Run hour/Parts count display	
Actual cutting feedrate display	
Graphic display	
Spindle/Servo setting screen	
Operation monitor screen	Loadmeter Light
Selection of 5 optional language	
LCD Screen Save	Screen saver
Auto Data Backup	
Manual Guide i	Conversational Program
Option	
Sub Axis Control	
Additional work coordinate system	48 Pair / 300 Pair
Additional custom micro change	#100~#199, #500~#999
Work coordinate Command	
Work coordinate Interpolation	
Cylindrical interpolation	
Single direction positioning	G60
FAST ethernet	100 Mbps
Data server	1GB
AI Contour Control II(AICC II)	
Additional optional blockskip	9 ea (Application can be limited)
Handle interrupt	
Manual Handle Feed	3 unit
Program storage length	640m (256Kbyte) ~ 5120m (2Mbyte)
Dynamic graphic display	
Protection of data at 8 levels	
Tool monitoring function	HWTM (Embeded FANUC Type)

Figures in inch are converted from metric values.

The FANUC controller specifications are subject to change based on the policy of company CNC supplying.

GLOBAL NETWORK



GLOBAL NETWORK



HEADQUARTER

Changwon Technical Center / R&D Center / Factory

153, Jeongdong-ro, Seongsan-gu, Changwon-si,
Gyeongsangnam-do, Korea (Zip Code : 51533)
TEL : +82 55 280 9114 FAX : +82 55 282 9680

Uiwang Technical Center / R&D Center

37, Cheoldobangmulgwan-ro, Uiwang-si, Gyeonggi-do,
Korea (Zip Code : 16082)
TEL : +82 31 596 8209 Fax : +82 55 210 9804

OVERSEAS OFFICES

HYUNDAI WIA Machine Tools America

265, Spring Lake Drive, Itasca, IL, 60143
TEL : +1 630 625 5600
FAX : +1 630 625 4733

Jiangsu HYUNDAI WIA

Company No.6 Fenghuang Road,
Fenghuang Town, Zhangjijagang City,
Jiangsu province, China
TEL : +86 512 5672 6808
FAX : +86 512 5671 6960

Chengdu Branch Office

NO.508 Room, B Block, AFC Plaza, NO.88
Jiaozi Road, High-tech Zone, Chengdu,
China
TEL : +86 028 8665 2985
FAX : +86 028 8665 2985

HYUNDAI WIA Machine Tools Europe

Kaiserleipromenade 5, 63067 Offenbach,
Germany
TEL : +49 69271 472 701
FAX : +49 69271 472 719

Hyundai WIA Machine Tools China Shanghai Branch Office

1-3F, Bldg6, No.1535 Hongmei Road,
Xuhui District, Shanghai, China
TEL : +86 021 6427 9885
FAX : +86 021 6427 9890

Qingdao Branch Office

Room 1207, Cai Fu Building, 182-6 Haier
Middle Road, Qingdao, China
TEL : +86 532 8667 9334
FAX : +86 532 8667 9338

Raunheim Service Center Raunheim R&D Center

Frankfurter. 63, 65479 Raunheim,
Germany
TEL : +49 6142 9256 111
FAX : +49 6142 9256 100

Beijing Branch Office

Floor 14, Zhonghangji Plaza B, No.15
Ronghua South Road, BDA Dist., Daxing
Dist., Beijing, China 100176
TEL : +86 010 8453 9850
FAX : +86 010 8453 9853

Wuhan Office

306-2, A Tower, Jiayu Gpmggian, No12
Chuangye Road, Economic Development
Zone, Wuhan, Hubei, China
TEL : +86 027 5952 3256
FAX : +86 027 5952 3256

India Branch Office

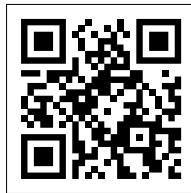
#4/169, Rajiv Gandhi Salai, (OMR),
Kandanchavadi, Chennai-600 096,
Tamilnadu, India
TEL: +91-44-3290-1719

Guangzhou Branch Office

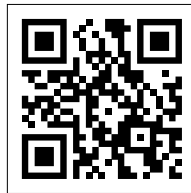
Room 311, Unit 1-3, POLY TAL TU WUP,
Hanxi Avenue, Panyu District, Guangzhou,
China
TEL : +86 020 8550 6595
FAX : +86 020 8550 6597

Chongqing Office

Room 951, #3, Jinrongcheng T3, Jiangbei,
Chongqing, China
TEL : +86 23 6701 2970



F410D Movie



F500D Movie



<http://machine.hyundai-wia.com>

Head Office & Factory

153, Jeongdong-ro, Seongsan-gu, Changwon-si, Gyeongsangnam-do **Tel** +82 55 280 9500

Overseas Sales Team

16F, 37, Cheoldobangmulgwan-ro, Uiwang-si, Gyeonggi-do **Tel** +82 31 593 8173

HYUNDAI WIA Machine Tools America

265 Spring Lake Drive, Itasca, IL, 60143 **Tel** +1 (630) 625 5600 **Fax** +1 (630) 625 4733

HYUNDAI WIA Machine Tools Europe

Kaiserleipromenade 5, D-63067 Offenbach, Germany **Tel** +49 69271 472 701 **Fax** +49 69271 472 719

India Branch Office

#4/169, Rajiv Gandhi Salai, (OMR), Kandanchavadi, Chennai-600 096, Tamilnadu, India **Tel** +91 44 3290 1719